

Model Number	Frequency (GHz)	Bandwidth (MHz)	Ins Loss (dB,Max)	Isolation (dB,Min)	VSWR (Max)	Operating Temp(°C)	Reverse Power(W)	Size L*W*H(mm)	Connector Type
IC-0101B	0.2-0.25	8	0.6	16	1.40	+20-+60	100	50.5*80*22	SMA/N
IC-0101A-B	0.15-0.25	8	0.6	16	1.40	+20-+60	100	70*97*22	SMA/N
IC-0301A	0.3-0.4	30	0.3	25	1.20	-15-+60	10	52*57.5*22	SMA/N
IC-0301B	0.3-0.4	30	0.3	25	1.20	-15-+60	100	52*84.5*22	SMA/N
IC-0301S-100	0.3-0.5	30	0.5	50	1.20	-15-+60	100	104*57.5*22	SMA/N
IC-0401A	0.4-0.6	30	0.3	25	1.20	-15-+60	10	44*49.5*21	SMA/N
IC-0401B	0.4-0.6	30	0.3	25	1.20	-15-+60	100	44*76.5*21	SMA/N
IC-0701	0.4-0.6	10	0.3	25	1.20	-15-+60	10	35*38*20	SMA/N
		30	0.3	25	1.20				
		200	0.4	20	1.25				
IC-0701B-150	0.6-1.0	30	0.3	25	1.20	-30-+70	150	35*60*20	SMA/N
		200	0.4	20	1.25				
IC-101	0.8-1.2	70	0.3	25	1.20	-30-+70	10	30*33*20	SMA/N
		200	0.4	20	1.25				
IC-101B	0.8-1.2	70	0.3	25	1.20	-30-+70	100	30*43*20	SMA/N
		200	0.4	20	1.25				
IC-101-S1	0.8-1.2	70	0.3	25	1.20	-30-+70	10	30*33*15	SMA
		200	0.4	20	1.25				
IC-101SB	0.8-1.2	25	0.4	50	1.20	-30-+70	100	60*33*20	SMA/N

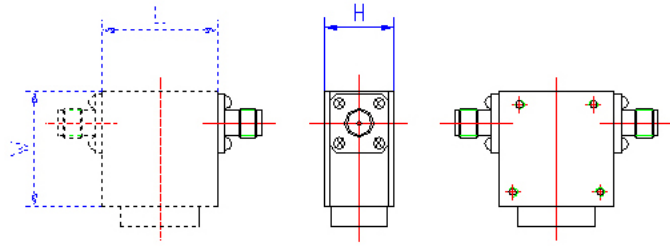
Note: All the above data are obtained at room temperature.

ELEADING TECHNOLOGIES LTD

F5102, Yunshenchu, Yuanlin Rd., Shatoujiao, Shenzhen, China. Zip: 518081

Phn. 86-755-2528 5648 Fax. 2528 5629. sales@eleadingchina.com

www.eleadingchina.com



Model Number	Frequency (GHz)	Bandwidth (MHz)	Ins Loss (dB,Max)	Isolation (dB,Min)	VSWR (Max)	Operating Temp(°C)	Reverse Power(W)	Size L*W*H(mm)	Connector Type
IC-101A	0.95-2.5	70	0.3	25	1.20	-30+70	10	25.4*28.5*20	SMA/N
	1.0-2.5	200	0.4	20	1.25				
IC-101A-B	0.95-2.5	70	0.3	25	1.20	-30+70	100	25.4*38.5*20	SMA/N
	1.0-2.5	200	0.4	20	1.25				
IC-101A-S1	0.95-2.5	70	0.3	25	1.20	-30+70	10	25.4*28.5*15	SMA
	1.0-2.5	200	0.4	20	1.25				
IC-101AS	0.95-2.5	70	0.6	50	1.20	-30+70	10	50.8*28.5*20	SMA/N
	1.0-2.5	200	0.8	40	1.25				
IC-101ES-XA	0.92-0.965	full	0.5	45	1.15	-10+85	125	62*33*9	QMAK
IC-101ES-XB	1.8-1.885	full	0.5	45	1.15	-10+85	125	62*33*9	QMAK
IC-101ES-XC	0.864-0.899	full	0.5	45	1.15	-10+85	125	62*33*9	QMAK
IC-101ES-XD	1.925-1.995	full	0.5	45	1.15	-10+85	125	62*33*9	QMAK
IC-101F	0.8-2.0	25	0.3	25	1.20	-30+70	10	25*25*15	SMA
	1.0-2.0	200	0.4	20	1.25				
IC-201B1	1.4-2.4	70	0.3	25	1.20	-30+70	10	20*25.4*15	SMA
IC-201BS	1.6-2.2	70	0.5	45	1.20	-30+70	10	46*32*20	SMA/N
IC-201BS1	1.6-2.2	70	0.5	45	1.20	-30+70	10	40*27*18	SMA
IC-201	1.8-3.0	200	0.3	25	1.20	-30+70	10	28*30*19	SMA/N
		400	0.4	23	1.20				
IC-201F	1.8-3.5	200	0.3	25	1.20	-30+70	10	25*25*15	SMA
		400	0.4	20	1.20				

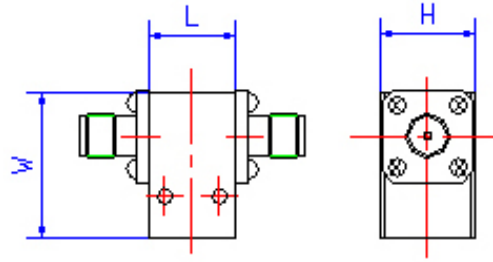
Note: All the above data are obtained at room temperature.

ELEADING TECHNOLOGIES LTD

F5102, Yunshenchu, Yuanlin Rd., Shatoujiao, Shenzhen, China. Zip: 518081

Phn. 86-755-2528 5648 Fax. 2528 5629. sales@eleadingchina.com

www.eleadingchina.com



Model Number	Frequency (GHz)	Bandwidth (MHz)	Ins Loss (dB,Max)	Isolation (dB,Min)	VSWR (Max)	Operating Temp(°C)	Reverse Power(W)	Size L*W*H(mm)	Connector Type
IC-201D	2-3.5	200	0.3	23	1.20	-30+70	10	20*25*14	SMA
IC-401	3.5-6.5	300	0.3	25	1.20	-40+75	10	16*26*15	SMA
		600	0.4	23	1.20				
IC-401D	3.5-6.5	300	0.3	25	1.20	-40+75	10	16*26*19	N
		600	0.4	23	1.20				
IC-501S1	5-7	300	0.6	50	1.20	-40+75	10	30*21*14	SMA
IC-601A	3.5-6.5	300	0.3	25	1.20	-40+75	10	16*26*13	SMA
		600	0.4	23	1.20				
IC-501F	5-8	300	0.3	25	1.20	-40+75	10	16*24*14	SMA
		600	0.4	23	1.20				
IC-801	7-18	500	0.3	25	1.20	-40+75	10	12*20*13	SMA
		1000	0.4	23	1.20				
IC-801F	7-18	500	0.3	25	1.20	-40+75	10	12*20*13	SMA
		1000	0.4	23	1.20				
IC-801F2	7-18	500	0.3	25	1.20	-40+75	10	12*23*19	N
		1000	0.4	23	1.20				
IC-1201S	7-18	500	0.5	50	1.20	-40+75	10	24*20*13	SMA

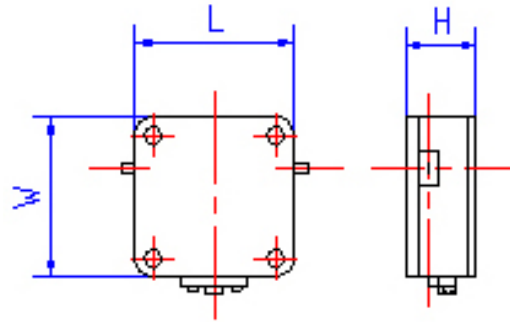
Note: All the above data are obtained at room temperature.

ELEADING TECHNOLOGIES LTD

F5102, Yunshenchu, Yuanlin Rd., Shatoujiao, Shenzhen, China. Zip: 518081

Phn. 86-755-2528 5648 Fax. 2528 5629. sales@eleadingchina.com

www.eleadingchina.com



Model Number	Frequency (GHz)	Bandwidth (MHz)	Ins Loss (dB,Max)	Isolation (dB,Min)	VSWR (Max)	Operating Temp(°C)	Reverse Power(W)	Size L*W*H(mm)	Connector Type
ID-0102	0.2-0.25	8	0.6	16	1.40	+20-+60	100	50.5*64.5*15	TAB
ID-0102A	0.15-0.25	8	0.6	16	1.40	+20-+60	100	70*84*15	TAB
ID-0402A	0.4-0.5	30	0.3	25	1.20	-15-+60	10	44*45.5*15.6	TAB
ID-0402-100	0.4-0.5	30	0.3	25	1.20	-15-+60	100	44*54*15.6	TAB
ID-0402-150	0.4-0.5	30	0.4	23	1.20	-15-+60	150	44*57.5*15.6	TAB
ID-0402H-100	0.375-0.5	Full	0.8	16	1.40	-10-+60	100	42*52*9	TAB
ID-0702	0.4-0.6	10	0.3	25	1.20	-15-+60	10	35*38*14.7	TAB
	0.6-0.8	30	0.3	25	1.20	-30-+70			
ID-0702-100	0.4-0.6	10	0.3	25	1.20	-15-+60	100	35*46*12.5	TAB
	0.6-0.8	30	0.3	25	1.20	-30-+70			
ID-0702-150	0.4-0.6	10	0.3	25	1.20	-15-+60	150	35*50*12.5	TAB
	0.6-0.8	30	0.3	25	1.20	-30-+70			
ID-0702D	0.4-0.6	30	0.4	23	1.20	-15-+60	10	35*38*13	TAB
ID-0702D-100	0.4-0.6	30	0.4	23	1.20	-15-+60	100	35*46*13	TAB
ID-0902B	0.8-1.2	25	0.35	23	1.20	-30-+70	10	20*20*8.6	TAB
ID-0902BS	0.8-1.0	25	0.65	50	1.20	-30-+70	10	41*21*8.6	TAB
ID-0902S	0.8-1.2	70	0.5	50	1.20	-30-+70	10	60*46*13.6	TAB

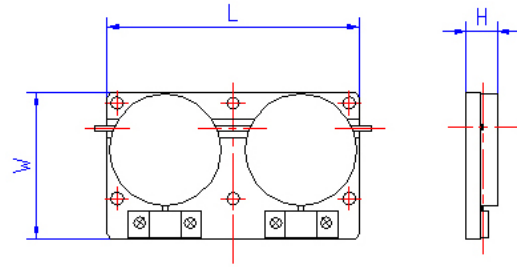
Note: All the above data are obtained at room temperature.

ELEADING TECHNOLOGIES LTD

F5102, Yunshenchu, Yuanlin Rd., Shatoujiao, Shenzhen, China. Zip: 518081

Phn. 86-755-2528 5648 Fax. 2528 5629. sales@eleadingchina.com

www.eleadingchina.com



Model Number	Frequency (GHz)	Bandwidth (MHz)	Ins Loss (dB,Max)	Isolation (dB,Min)	VSWR (Max)	Operating Temp(°C)	Reverse Power(W)	Size L*W*H(mm)	Connector Type
IDJ-102-E	0.8-1.2	70	0.3	25	1.20	-30+70	10	30*33*12	TAB
IDJ-102C-100	0.8-1.0	25	0.3	23	1.20	-30+70	100	25.4*31.7*6.8	TAB
		100	0.5	20	1.25				
IDJ-102CS-100	0.8-1.0	70	0.3	23	1.20	-30+70	100	55.1*31.8*6.8	TAB
		100	0.5	50	1.20				
IDJ-102M3-100	0.824-1.0	25	0.3	23	1.20	-30+70	100	19*25.4*7.5	TAB
IDJ-102A	0.95-2.5	70	0.3	25	1.20	-30+70	10	25.4*28.5*12	TAB
		200	0.4	20	1.25				
IDJ-102J	0.8-1.4	25	0.3	25	1.20	-30+70	10	25.4*25.4*12	TAB
		200	0.4	20	1.20				
IDJ-102J1	1.4-2.4	70	0.3	25	1.20	-30+70	10	25.4*25.4*12	TAB
		200	0.4	20	1.20				
IDJ-102JS-E	0.8-1.8	25	0.5	50	1.20	-30+70	10	50*25.4*12	TAB
IDJ-102JS-100	0.8-1.8	25	0.5	50	1.20	-30+70	100	50*33.4*12	TAB

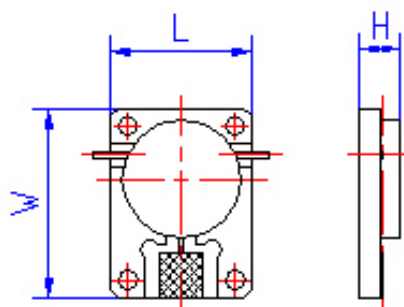
Note: All the above data are obtained at room temperature.

ELEADING TECHNOLOGIES LTD

F5102, Yunshenchu, Yuanlin Rd., Shatoujiao, Shenzhen, China. Zip: 518081

Phn. 86-755-2528 5648 Fax. 2528 5629. sales@eleadingchina.com

www.eleadingchina.com



Model Number	Frequency (GHz)	Bandwidth (MHz)	Ins Loss (dB,Max)	Isolation (dB,Min)	VSWR (Max)	Operating Temp(°C)	Reverse Power(W)	Size L*W*H(mm)	Connector Type
ID-102K	1.805-1.625	full	0.4	20	1.20	-30+70	10	15*16.5*6.6	TAB
ID-0902B1	1.5-2.0	70	0.3	23	1.20	-30+70	10	20*20*9	TAB
ID-0902B3	0.99-1.13	full	0.5	20	1.25	-30+70	10	20*20*9.1	TAB
ID-202D-E	1.4-2.4	70 200	0.3 0.4	25 20	1.20 1.25	-30+70	10	20*24.4*12	TAB
ID-202DS-E	1.7-1.9	70	0.6	45	1.20	-30+70	10	35*23.5*12	TAB
ID-202G-C1	1.7-2.5	30 100	0.3 0.3	25 23	1.20 1.20	-30+70	10	19*19*8.2	TAB
ID-202G-100	1.7-2.5	30 100	0.3 0.3	25 23	1.20 1.20	-30+70	100	19*27*8.2	TAB
ID-202H-5	1.7-2.8	70	0.3	22	1.20	-30+70	5	19*19*5.6	TAB
ID-202F-100	1.7-2.8	70	0.3	23	1.20	-30+70	100	19*25.4*5.6	TAB
ID-202FS-100	1.7-2.8	70	0.6	45	1.20	-30+70	100	38.1*25.4*5.6	TAB
ID-202H	1.7-2.3	100	0.3	23	1.20	-40+80	100	20*30*11.5	TAB
ID-202H2	2.2-2.3	full	0.5	20	1.25	-40+80	5	10*22.5*9.8	TAB
ID-202T1	2.2-2.8	100	0.4	20	1.20	-40+80	10	15*16.5*9.1	TAB

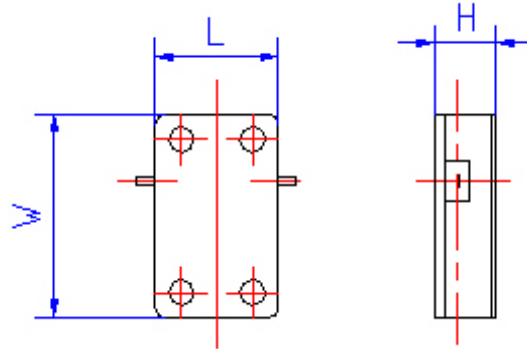
Note: All the above data are obtained at room temperature.

ELEADING TECHNOLOGIES LTD

F5102, Yunshenchu, Yuanlin Rd., Shatoujiao, Shenzhen, China. Zip: 518081

Phn. 86-755-2528 5648 Fax. 2528 5629. sales@eleadingchina.com

www.eleadingchina.com



Model Number	Frequency (GHz)	Bandwidth (MHz)	Ins Loss (dB,Max)	Isolation (dB,Min)	VSWR (Max)	Operating Temp(°C)	Reverse Power(W)	Size L*W*H(mm)	Connector Type
ID-202	2-3	200	0.3	25	1.20	-30+70	10	20*30*11	TAB
		400	0.4	20	1.20				
ID-202K	2-3.5	200	0.3	25	1.20	-30+70	10	25*30*11.5	TAB
		400	0.4	23	1.20				
ID-302	2-3.5	200	0.3	23	1.20	-30+70	10	18*25*10	TAB
ID-302C	3-6	300	0.3	23	1.20	-30+70	10	19*19*7.7	TAB
		500	0.5	20	1.25				
ID-302C-100	3-6	300	0.3	23	1.20	-30+70	100	19*27*7.7	TAB
		500	0.5	20	1.25				
ID-302C2	3.1-3.5	Full	0.4	18	1.30	-20+90	5	12.7*12.7*6.4	TAB
ID-402	3.5-6.5	300	0.3	25	1.20	-40+75	10	16*26*10.5	TAB
		600	0.4	23	1.20				
ID-402S	3.5-6.5	300	0.5	50	1.20	-40+75	10	32*26*10.5	TAB
ID-402-C	4-7	300	0.3	25	1.20	-40+75	10	15*25*6	TAB
		600	0.4	23	1.20				
ID-402H	4-7	300	0.3	25	1.20	-40+75	10	14*22*9.5	TAB
		600	0.4	23	1.20				
ID-502A	5-7	200	0.3	25	1.20	-40+75	10	10*18*8	TAB
ID-502AS	5-7	100	0.5	50	1.20	-40+75	10	22*18*8	TAB

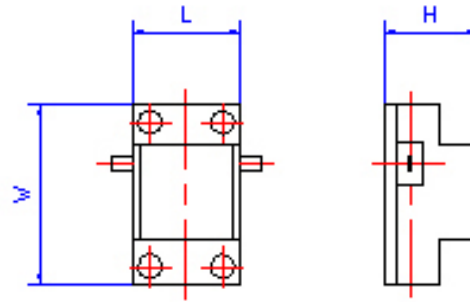
Note:All the above data are obtained at room temperature.

ELEADING TECHNOLOGIES LTD

F5102,Yunshenchu,Yuanlin Rd.,Shatoujiao,Shenzhen,China.Zip:518081

Phn.86-755-2528 5648 Fax.2528 5629. sales@eleadingchina.com

www.eleadingchina.com



Model Number	Frequency (GHz)	Bandwidth (MHz)	Ins Loss (dB,Max)	Isolation (dB,Min)	VSWR (Max)	Operating Temp(°C)	Reverse Power(W)	Size L*W*H(mm)	Connector Type
ID-502B	5-7	300	0.3	25	1.20	-40+75	10	12*20*9.5	TAB
		600	0.4	23	1.20				
ID-502E	5-8	300	0.3	25	1.20	-40+75	10	12*20*6	TAB
		600	0.4	23	1.20				
ID-702-C1	4.4-8	300	0.3	25	1.20	-40+75	10	12.7*19*6	TAB
		600	0.4	20	1.20				
ID-802D	7-18	300	0.3	25	1.20	-40+75	10	12*20*9.5	TAB
		1000	0.4	23	1.20				
ID-1002E	7-18	300	0.3	25	1.20	-40+75	5	8.9*15*7.8	TAB
		1000	0.4	23	1.20				
ID-1002ES	7-18	500	0.5	50	1.20	-40+75	5	17.8*15*7.8	TAB
ID-1002G	7-18	300	0.3	25	1.20	-40+75	5	9*16*8	TAB
		1000	0.4	23	1.20				
ID-1002B	8-18	300	0.3	23	1.20	-40+75	5	8.9*13.5*7.8	TAB
		1000	0.4	20	1.20				
ID-1302-C1	10-13.3	Full	0.5	20	1.25	-40+75	5	7*19*5.7	TAB
ID-1302	9-18	100	0.4	23	1.20	-40+75	5	6.5*12.7*6.8	TAB
ID-1302S	9-18	100	0.6	50	1.20	-40+75	5	13*12.7*6.8	TAB

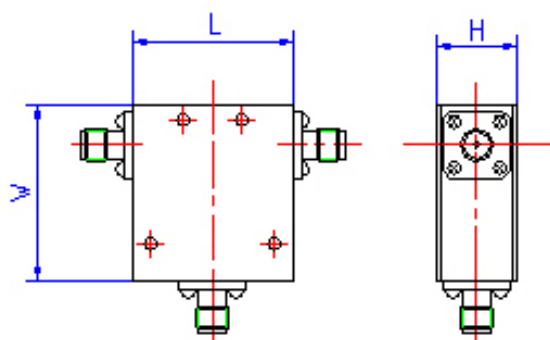
Note: All the above data are obtained at room temperature.

ELEADING TECHNOLOGIES LTD

F5102, Yunshenchu, Yuanlin Rd., Shatoujiao, Shenzhen, China. Zip: 518081

Phn. 86-755-2528 5648 Fax. 2528 5629. sales@eleadingchina.com

www.eleadingchina.com



Model Number	Frequency (GHz)	Bandwidth (MHz)	Ins Loss (dB,Max)	Isolation (dB,Min)	VSWR (Max)	Operating Temp(°C)	Reverse Power(W)	Size L*W*H(mm)	Connector Type
CC-0301A	0.3-0.4	30	0.3	25	1.20	-15-+60	150	52*57.5*22	SMA/N
CC-0301S	0.3-0.4	30	0.6	50	1.20	-15-+60	150	104*57.5*22	SMA/N
CC-0401A	0.4-0.6	30	0.3	25	1.20	-15-+60	150	44*49.5*21	SMA/N
CC-0701A	0.4-0.6	10	0.3	23	1.20	-15-+60	150	35*38*20	SMA/N
	0.6-1.0	30				-30-+70			
CC-101	0.8-1.2	70	0.3	23	1.20	-30-+70	100	30*33*20	SMA/N
		200	0.5	20	1.25				
CC-101-S1	0.8-1.2	70	0.3	23	1.20	-30-+70	100	30*33*15	SMA
		200	0.5	20	1.25				
CC-101A	0.95-2.5	70	0.3	23	1.20	-30-+70	100	25.4*28.5*20	SMA/N
		200	0.4	20	1.25				
CC-101A-S1	0.95-2.5	70	0.3	23	1.20	-30-+70	100	25.4*28.5*15	SMA
		200	0.4	20	1.25				

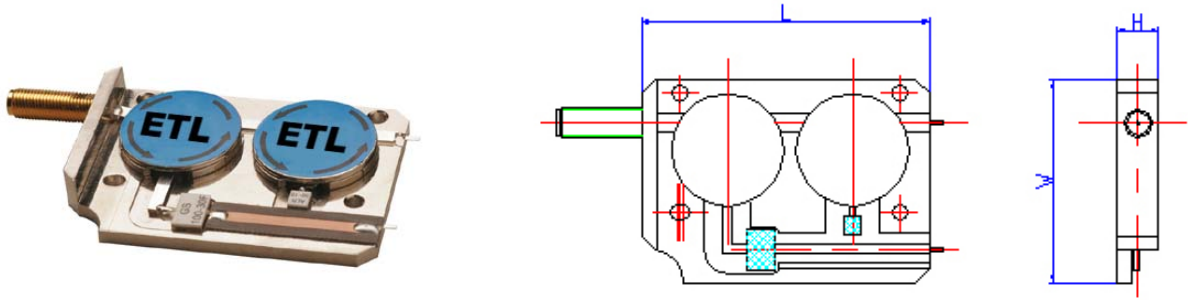
Note: All the above data are obtained at room temperature.

ELEADING TECHNOLOGIES LTD

F5102, Yunshenchu, Yuanlin Rd., Shatoujiao, Shenzhen, China. Zip: 518081

Phn. 86-755-2528 5648 Fax. 2528 5629. sales@eleadingchina.com

www.eleadingchina.com



Model Number	Frequency (GHz)	Bandwidth (MHz)	Ins Loss (dB,Max)	Isolation (dB,Min)	VSWR (Max)	Operating Temp(°C)	Reverse Power(W)	Size L*W*H(mm)	Connector Type
CCJ-101AS	0.95-2.5	70	0.6	45	1.20	-30-+70	100	50.8*28.5*20	SMA/N
	1.0-2.5	200	0.8	40	1.25				
CCJ-101DS-A	0.95-0.965	Full	0.5	45	1.15	-10-+85	100	62.2*44*9	SMAK
CCJ-101DS-B	1.8-1.885	Full	0.5	45	1.15	-10-+85	100	62.2*44*9	SMAK
CCJ-101DS-C	0.864-0.899	Full	0.5	45	1.15	-10-+85	100	62.2*44*9	SMAK
CCJ-101DS-D	1.925-1.995	full	0.5	45	1.15	-10-+85	100	62.2*44*9	SMAK
CCJ-101F	0.95-2.0	70	0.3	23	1.20	-30-+70	60	25*25*15	SMA
	1.0-2.0	200	0.4	20	1.25				
CCJ-201	1.8-3	200	0.3	23	1.20	-30-+70	20	28*30*19	SMA/N
		400	0.4	20	1.20				
CCJ-201B1	1.5-2.5	70	0.3	23	1.20	-30-+70	30	20*25.4*15	SMA

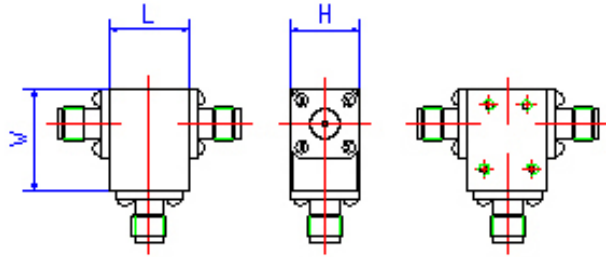
Note:All the above data are obtained at room temperature.

ELEADING TECHNOLOGIES LTD

F5102, Yunshenchu, Yuanlin Rd., Shatoujiao, Shenzhen, China. Zip: 518081

Phn.86-755-2528 5648 Fax.2528 5629. sales@eleadingchina.com

www.eleadingchina.com



Model Number	Frequency (GHz)	Bandwidth (MHz)	Ins Loss (dB,Max)	Isolation (dB,Min)	VSWR (Max)	Operating Temp(°C)	Reverse Power(W)	Size L*W*H(mm)	Connector Type
CC-201F	2-3.5	200 400	0.3 0.4	23 20	1.20 1.20	-30-+70	20	25*25*15	SMA
CC-401A	3.5-6.5	300 600	0.3 0.4	23 20	1.20 1.20	-40-+75	20	16*21*14	SMA
CC-401A S	3.5-6.5	300	0.6	50	1.20	-40-+75	20	32*21*14	SMA
CC-401D	3.5-6.5	300 600	0.3 0.4	23 20	1.20 1.20	-40-+75	20	20*24*18	SMA/N
CC-701A	6.5-1.8	300 1000	0.3 0.4	23 20	1.20 1.20	-40-+75	10	15*19*13	SMA

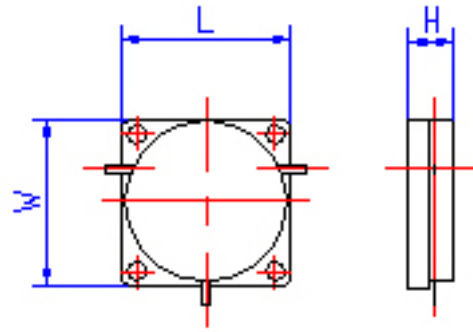
Note:All the above data are obtained at room temperature.

ELEADING TECHNOLOGIES LTD

F5102,Yunshenchu,Yuanlin Rd.,Shatoujiao,Shenzhen,China.Zip:518081

Phn.86-755-2528 5648 Fax.2528 5629. sales@eleadingchina.com

www.eleadingchina.com



Model Number	Frequency (GHz)	Bandwidth (MHz)	Ins Loss (dB,Max)	Isolation (dB,Min)	VSWR (Max)	Operating Temp(°C)	Reverse Power(W)	Size L*W*H(mm)	Connector Type
CD-0302A	0.3-0.4	30	0.3	23	1.20	-15-+60	150	52*57.5*16	TAB
CD-0402A	0.4-0.5	30	0.3	23	1.20	-15-+60	150	44*45.5*15.6	TAB
CD-0702	0.4-0.6	10	0.3	23	1.20	-15-+60	150	35*38*14.7	TAB
	0.6-0.8	30				-30-+70			
CD-0702D	0.4-0.6	30	0.4	23	1.20	-15-+60	150	35*38*13	TAB
CD-102C1-100	0.75-1.0	25	0.3	23	1.20	-30-+70	100	31.7*31.7*6.8	TAB
CD-0902B	0.8-1.2	25	0.35	23	1.20	-30-+70	30	20*20*8.6	TAB
CD-0902C	0.902-0.928	Full	0.3	23	1.20	-30-+70	30	φ 23.1*6.8	TAB
CD-102	0.8-1.2	70	0.3	23	1.20	-30-+70	100	30*33*11.5	TAB
	0.8-1.0	25							
CD-102C-60	1.7-2.2	70	0.3	23	1.20	-30-+70	100	25.4*25.4*6.8	TAB
	0.8-1.4	25							
CD-102J	1.0-1.4	200	0.4	20	1.20	-30-+70	100	25.4*25.4*12	TAB
	0.8-1.4	25							
CD-102J1	1.4-2.4	70	0.3	23	1.20	-30-+70	100	25.4*25.4*12	TAB
		200							
CD-102A	0.95-2.5	70	0.3	23	1.20	-30-+70	100	25.4*28.5*12	TAB
		200							
CD-202B	1.4-2.4	70	0.3	23	1.20	-30-+70	60	20*25.4*12	TAB
CD-202G1	1.7-2.5	70	0.3	23	1.20	-30-+70	60	19*19*8.2	TAB
CD-202H	1.7-2.5	70	0.3	22	1.20	-30-+70	60	19*19*5.6	TAB
CD-202C2	2.01-2.025	Full	0.25	20	1.20	-30-+70	60	12.7*12.7*6.4	TAB

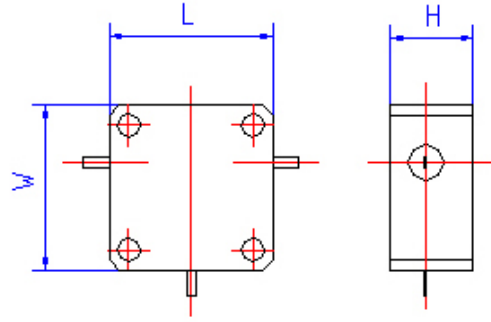
Note: All the above data are obtained at room temperature.

ELEADING TECHNOLOGIES LTD

F5102, Yunshenchu, Yuanlin Rd., Shatoujiao, Shenzhen, China. Zip: 518081

Phn. 86-755-2528 5648 Fax. 2528 5629. sales@eleadingchina.com

www.eleadingchina.com



Model Number	Frequency (GHz)	Bandwidth (MHz)	Ins Loss (dB,Max)	Isolation (dB,Min)	VSWR (Max)	Operating Temp(°C)	Reverse Power(W)	Size L*W*H(mm)	Connector Type
CD-202K	2-3.5	200	0.3	23	1.20	-30+70	20	25*26*11.5	TAB
		400	0.4	20	1.25				
CD-302	2-3.5	200	0.3	23	1.20	-30+70	20	20*25*11.5	TAB
CD-302C	3-6	300	0.3	23	1.20	-30+70	20	19*19*7.7	TAB
CD-302C2	3.1-3.5	Full	0.4	18	1.30	-30+70	20	12.7*12.7*6.4	TAB
	3.5-5	200	0.4	20	1.25				
CD-402A	3.5-6.5	300	0.3	23	1.20	-40+75	20	16*22*10.5	TAB
		600	0.4	20	1.20				
CD-502C	4.4-8	600	0.5	20	1.25	-40+75	10	12.7*12.7*6	TAB
CD-702-C1	4.4-8	300	0.4	23	1.20	-40+75	10	12.7*17*8	TAB
		600	0.5	20	1.25				
CD-802	7-18	300	0.3	23	1.20	-40+75	10	12.7*17*8	TAB
		1000	0.4	20	1.20				
CD-1002A	8-18	300	0.3	23	1.20	-40+75	10	8.9*12.5*7.8	TAB
		1000	0.4	20	1.25				

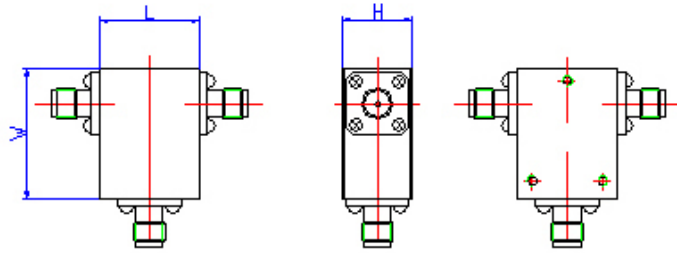
Note: All the above data are obtained at room temperature.

ELEADING TECHNOLOGIES LTD

F5102, Yunshenchu, Yuanlin Rd., Shatoujiao, Shenzhen, China. Zip: 518081

Phn. 86-755-2528 5648 Fax. 2528 5629. sales@eleadingchina.com

www.eleadingchina.com



Model Number	Frequency (GHz)	Bandwidth (MHz)	Ins Loss (dB,Max)	Isolation (dB,Min)	VSWR (Max)	Operating Temp(°C)	Reverse Power(W)	Size L*W*H(mm)	Connector Type
IC-201J	1-2	Full	0.7	16	1.40	-15-+60	10	70*80*21	SMA/N
IC-301A	2-4	Full	0.6	18	1.40	-30-+70	10	32*34*18	SMA/N
IC-501H	3-6	Full	0.6	17	1.40	-30-+70	10	25.4*34.5*13	SMA
IC-601K	4-8	Full	0.6	18	1.30	-30-+70	10	20*32*14	SMA
IC-501B	2-8	Full	1.5	12	1.80	-30-+70	10	60*42*19	SMA
IC-901K	6-12	Full	0.6	18	1.40	-40-+75	10	16*26*13	SMA
IC-1201A	8-18	Full	0.8	17	1.40	-40-+75	10	15*23*13	SMA
IC-1201K	6-18	Full	1.5	12	1.80	-40-+75	10	19*27*13	SMA
IC-101-S1	0.96-1.22	Full	0.5	20	1.25	-30-+70	100	30*33*15	N
IC-101	0.96-1.22	Full	0.5	20	1.25	-30-+70	100	30*33*20	SMA
IC-101F	0.98-1.14	Full	0.5	20	1.25	-30-+70	30	25*25*15	SMA
IC-801F	10-15	Full	0.5	20	1.25	-30-+70	10	12*20*13	SMA
IC-801F2	10-15	Full	0.5	20	1.25	-30-+70	10	12*23*19	SMA/N
IC-801	8-12	Full	0.5	20	1.25	-30-+70	10	12*20*13	SMA
	12-18	Full	0.6	20	1.30				

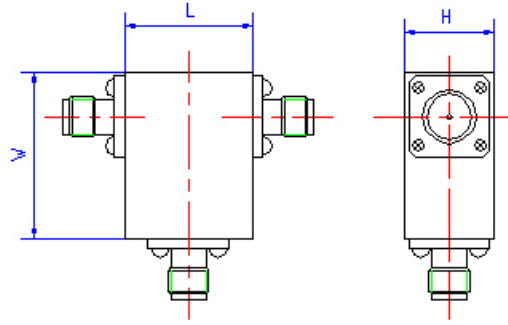
Note: All the above data are obtained at room temperature.

ELEADING TECHNOLOGIES LTD

F5102, Yunshenchu, Yuanlin Rd., Shatoujiao, Shenzhen, China. Zip: 518081

Phn. 86-755-2528 5648 Fax. 2528 5629. sales@eleadingchina.com

www.eleavingchina.com



Model Number	Frequency (GHz)	Bandwidth (MHz)	Ins Loss (dB,Max)	Isolation (dB,Min)	VSWR (Max)	Operating Temp(°C)	Reverse Power(W)	Size L*W*H(mm)	Connector Type
CC-201J	1-2	Full	0.7	15	1.40	-15--+60	30	70*80*21	SMA/N
CC-301A	2-4	Full	0.6	16	1.40	-30--+70	20	32*34*18	SMA/N
CC-501H	3-6	Full	0.6	16	1.40	-30--+70	20	25.4*27.5*13	SMA
CC-601K	4-8	Full	0.6	18	1.30	-30--+70	20	20*26*14	SMA
CC-901K	6-12	Full	0.6	16	1.40	-40--+75	20	16*21*13	SMA
CC-701A	8-12	Full	0.5	20	1.25	-40--+75	10	15*19*13	SMA
	12-18	Full	0.6	18	1.35				
CC-1201A	8-18	Full	0.8	16	1.50	-40--+75	10	15*21*13	SMA

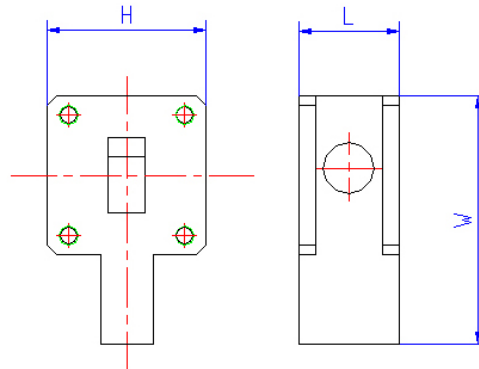
Note: All the above data are obtained at room temperature.

ELEADING TECHNOLOGIES LTD

F5102, Yunshenchu, Yuanlin Rd., Shatoujiao, Shenzhen, China. Zip: 518081

Phn. 86-755-2528 5648 Fax. 2528 5629. sales@eleadingchina.com

www.eleadingchina.com



Model Number	Frequency (GHz)	Bandwidth (MHz)	Ins Loss (dB,Max)	Isolation (dB,Min)	VSWR (Max)	Operating Temp(°C)	Size L*W*H(mm)	Waveguide Type
IWG-84-36	7.7-8.4	Full	0.3	23	1.20	-40+80	36*75.5*48	WR112
IWG-84-69.2	7.25-8.4	Full	0.4	20	1.25	-40+80	69.2*83.3*44.5	WR112
IWG-100-70	10-11	Full	0.4	20	1.15	0+70	70*42*42	WR90
IWG-100-28	8-12.4	300	0.2	30	1.15	-40+80	28*56*42	WR90
		1000	0.3	23	1.20			
IWG-120-25	10-15	500	0.25	25	1.15	-40+80	25*52*38	WR75
		1000	0.3	23	1.20			
IWG-120-28M	10-15	500	0.25	25	1.15	-40+80	28*52*38	WR75
		1000	0.3	23	1.20			With sealing groove
IWG-140-21	12-18	500	0.3	25	1.15	-40+80	21*52*33.3	WR62
		1000	0.3	23	1.20			

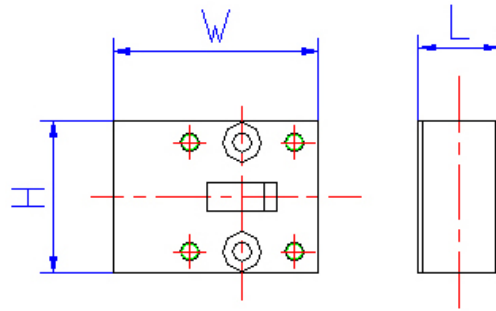
Note: All the above data are obtained at room temperature.

ELEADING TECHNOLOGIES LTD

F5102, Yunshenchu, Yuanlin Rd., Shatoujiao, Shenzhen, China. Zip: 518081

Phn. 86-755-2528 5648 Fax. 2528 5629. sales@eleadingchina.com

www.eleadingchina.com



Model Number	Frequency (GHz)	Bandwidth (MHz)	Ins Loss (dB,Max)	Isolation (dB,Min)	VSWR (Max)	Operating Temp(°C)	Size L*W*H(mm)	Waveguide Type
IWG-100-12.7	8-12.4	300	0.4	25	1.20	-40+80	12.7*48.5*42	WR90
IWG-120-12.7	10-15	300	0.3	25	1.20	-40+80	12.7*43*38	WR70
IWG-140-12.7	12-18	500	0.3	23	1.20	-40+80	12.7*38.3*33.3	WR62
IWG-140-12.7A	12-18	1000	0.4	20	1.25	-40+80	12.7*39.88*22.35	WR62
IWG-180-15	14.5-22.0	1000	0.3	25	1.20	-40+80	15*40*33.3	WR51
IWG-180-15A	14.5-22.0	1000	0.3	25	1.20	-40+80	15*40*30.2	WR51
IWG-220-9.5	17.6-26.7	2000	0.4	18	1.30	-40+80	9.5*31.75*22.4	WR42
IWG-220-9.5A	17.6-26.7	2000	0.4	18	1.30	-40+80	9.525*31.75*22.35	WR42
IWG-220-12.7	17.6-26.7	500	0.3	28	1.15	-40+80	12.7*32*22.4	WR42
IWG-220-12.7A	17.6-26.7	1000	0.4	23	1.20	-40+80	12.7*32*22.4	WR42
IWG-220-12.7A	17.6-26.7	2000	0.5	20	1.25	-40+80	12.7*31.75*23.6	WR42
IWG-260-9.5A	24.5-26.5	Full	0.4	17	1.40	-40+80	9.525*31.75*22.35	WR34
IWG-260-9.5A	27.5-29.5							
IWG-260-12.7	21.7-33.0	1000	0.3	23	1.20	-40+80	12.7*32*21.1	WR34

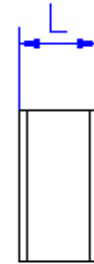
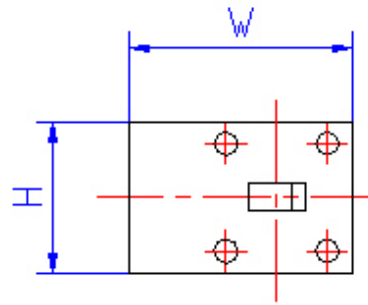
Note:All the above data are obtained at room temperature.

ELEADING TECHNOLOGIES LTD

F5102, Yunshenchu, Yuanlin Rd., Shatoujiao, Shenzhen, China. Zip: 518081

Phn.86-755-2528 5648 Fax.2528 5629. sales@eleadingchina.com

www.eleadingchina.com



Model Number	Frequency (GHz)	Bandwidth (MHz)	Ins Loss (dB,Max)	Isolation (dB,Min)	VSWR (Max)	Operating Temp(°C)	Size L*W*H(mm)	Waveguide Type
IWG-320-5	26.5-40	1000	0.5	20	1.20	-40~+80	5*25.4*19.1	WR28
IWG-320-9.5A	37-40	Full	0.4	17	1.40	-40~+80	9.525*31.75*22.35	WR28
IWG-320-10	26.5-40	1000	0.3	25	1.20	-40~+80	10*28*19.1	WR28
		2000	0.35	22	1.22			
IWG-320-10B	26.5-40	1000	0.3	25	1.20	-40~+80	10*28*19.1	WR28
		2000	0.35	22	1.22			
IWG-320-12.7L	26.5-40	3000	0.4	20	1.25	-40~+80	12.7*31.75*19.1	WR28
IWG-320-12.7L1	26.5-40	3000	0.4	20	1.25	-40~+80	12.7*32*19.56	WR28
IWG-320-15	26.5-40	1000	0.3	25	1.20	-40~+80	15*28*19.1	WR28
IWG-320-20	33.4-36.6	Full	1.0	40	1.25	-40~+80	20*28*19.1	WR28
IWG-320-30	33.4-36.6	Full	1.5	60	1.25	-40~+80	30*28*19.1	WR28
IWG-400-10	32.9-50.1	1000	0.6	25	1.20	-40~+80	10*26*19.1	WR22
		2000	0.6	23	1.25			
IWG-500-10	39.2-59.6	1000	0.6	25	1.20	-40~+80	10*25.5*19.1	WR18
		2000	0.6	23	1.25			
IWG-900-10A	84-100	1000	0.8	23	1.25	-40~+80	10*22*19.1	WR10
		2000	1.0	20	1.30			

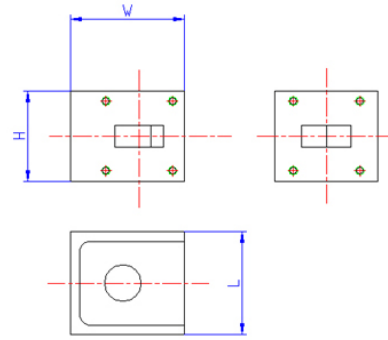
Note: All the above data are obtained at room temperature.

ELEADING TECHNOLOGIES LTD

F5102, Yunshenchu, Yuanlin Rd., Shatoujiao, Shenzhen, China. Zip: 518081

Phn. 86-755-2528 5648 Fax. 2528 5629. sales@eleadingchina.com

www.eleadingchina.com



Model Number	Frequency (GHz)	Bandwidth (MHz)	Ins Loss (dB,Max)	Isolation (dB,Min)	VSWR (Max)	Operating Temp(°C)	Size L*W*H(mm)	Waveguide Type
CWG-84-60	7.7-8.4	Full	0.3	25	1.15	-40+80	60*65*47.8	WR112
CWG-100-27	8-12.4	100	0.2	35	1.10	-40+80	27*46.5*42	WR90
		500	0.3	25	1.15			
CWG-100-48	8-12.4	1000	0.3	23	1.15	-40+80	48*53*42	WR90
CWG-100-60M	8-12.4	1000	0.3	23	1.20	-40+80	60*70*40.4	WR90 With sealing groove
CWG-120-42	10-15	300	0.2	28	1.10	-40+80	42*48*38	WR75
		1000	0.3	25	1.15			
CWG-140-40	12-18	500	0.3	25	1.15	-40+80	40*40*33.3	WR62
		1000	0.4	23	1.20			
CWG-180-32	14.5-22	1000	0.3	23	1.20	-40+80	32*35*30.2	WR51
CWG-220-22.2	17.6-26.7	2000	0.4	20	1.25	-40+80	22.2*31.75*22.4	WR42
CWG-220-24	17.6-26.7	1000	0.3	23	1.20	-40+80	24*27*22.4	WR42
		2000	0.4	20	1.25			
CWG-220-25.4	18.5-26.5	1000	0.3	23	1.20	-40+80	25.4*27*22.4	WR42
		2000	0.4	20	1.25			
CWG-260-22.3	21.7-33.0	1000	0.3	23	1.20	-40+80	22.3*27*21.2	WR34
CWG-320-21	26.5-40	500	0.3	25	1.15	-40+80	21*24*19.1	WR28
		1000	0.3	23	1.20			
		3000	0.5	18	1.30			

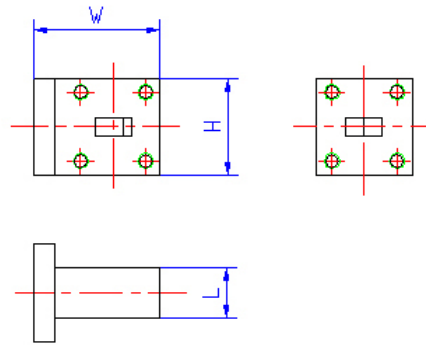
Note: All the above data are obtained at room temperature.

ELEADING TECHNOLOGIES LTD

F5102, Yunshenchu, Yuanlin Rd., Shatoujiao, Shenzhen, China. Zip: 518081

Phn. 86-755-2528 5648 Fax. 2528 5629. sales@eleadingchina.com

www.eleadingchina.com



Model Number	Frequency (GHz)	Bandwidth (MHz)	Ins Loss (dB,Max)	Isolation (dB,Min)	VSWR (Max)	Operating Temp(°C)	Size L*W*H(mm)	Waveguide Type
CWG-320-8B	26.5-40	1000	0.3	20	1.25	-40+80	8*16*23	WR28
CWG-320-10	26.5-40	500	0.3	25	1.15	-40+80	10*24.5*19.1	WR28
		1000	0.3	20	1.25			
CWG-320-10D	26.5-40	500	0.3	25	1.15	-40+80	10*24.5*32	WR28
		1000	0.3	20	1.25			
CWG-320-15	26.5-40	1000	0.3	23	1.20	-40+80	15*25.4*19.1	WR28
CWG-320-20	26.5-40	3000	0.5	18	1.30	-40+80	20*26*19.1	WR28
CWG-400-19	32.9-50.1	1000	0.6	23	1.20	-40+80	19*20*19.1	WR22
		2000	0.6	20	1.25			
CWG-500-10	39.2-59.6	1000	0.6	23	1.20	-40+80	10*24.5*19.1	WR18
		2000	0.6	20	1.25			
CWG-500-19	39.6-59.6	1000	0.6	23	1.20	-40+80	19*19*19.1	WR18
		2000	0.6	20	1.25			
CWG-900-10A	84-100	1000	0.8	23	1.20	-40+80	10*25*19.1	WR10
		2000	1.0	18	1.30			

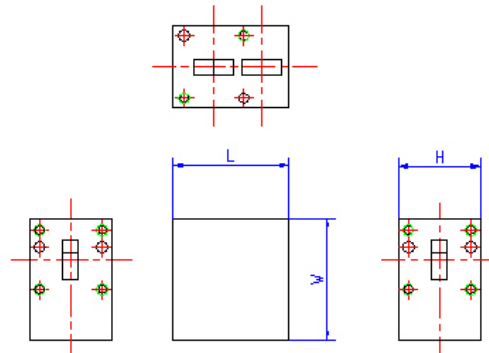
Note: All the above data are obtained at room temperature.

ELEADING TECHNOLOGIES LTD

F5102, Yunshenchu, Yuanlin Rd., Shatoujiao, Shenzhen, China. Zip: 518081

Phn. 86-755-2528 5648 Fax. 2528 5629. sales@eleadingchina.com

www.eleadingchina.com



Model Number	Frequency (GHz)	Bandwidth (MHz)	Ins Loss (dB,Max)	Isolation (dB,Min)	VSWR (Max)	Operating Temp(°C)	Size L*W*H(mm)	Waveguide Type
CWG-220-31.7A	17.7-19.7 21.2-23.6	full	0.6	20	1.30	-35+85	31.7*33*22.2	WR42
CWG-320-30A	33.75-34.75	Full	0.6	50	1.20	-60+80	30*62*20	WR28
CWG-320-10Y	26.5-40	1000	0.3	23	1.20	-40+80	10*30.2*9.9	WR28
		2000	0.4	20	1.25			
CWG-320-18Y	26.5-40	1000	0.3	23	1.20	-40+80	18*39.1*19.1	WR28
		2000	0.4	20	1.25			

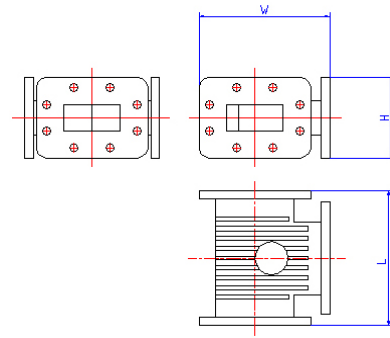
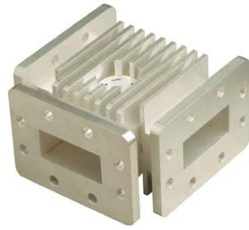
Note: All the above data are obtained at room temperature.

ELEADING TECHNOLOGIES LTD

F5102, Yunshenchu, Yuanlin Rd., Shatoujiao, Shenzhen, China. Zip: 518081

Phn. 86-755-2528 5648 Fax. 2528 5629. sales@eleadingchina.com

www.eleadingchina.com



Model Number	Frequency (GHz)	Bandwidth (MHz)	Ins Loss (dB,Max)	Isolation (dB,Min)	VSWR (Max)	Operating Temp(°C)	Average power(W)	Size L*W*H(mm)	Waveguide Type
CWG-70-68.3A	5.8-6.4	full	0.3	20	1.20	-40+80	200	68.3*80*49.2	WR137
CWG-70-82	5.8-6.4	full	0.3	20	1.20	-40+80	200	82*80*49.2	WR137
CWG-84-60B	7.8-8.4	full	0.4	23	1.25	-55+85	350	60*65*47.8	WR112
CWG-100-36	9.4-9.8	full	0.4	40	1.15	-40+80	150	36*90*33	WR90

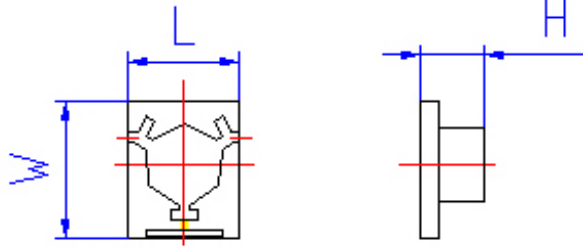
Note: All the above data are obtained at room temperature.

ELEADING TECHNOLOGIES LTD

F5102, Yunshenchu, Yuanlin Rd., Shatoujiao, Shenzhen, China. Zip: 518081

Phn. 86-755-2528 5648 Fax. 2528 5629. sales@eleadingchina.com

www.eleadingchina.com



Model Number	Frequency (GHz)	Bandwidth (MHz)	Ins Loss (dB,Max)	Isolation (dB,Min)	VSWR (Max)	Operating Temp(°C)	Average power(W)	Size L*W*H(mm)
IMS-502F	5.15-5.35	Full	0.5	20	1.25	-10+70	5	12*11*3
IMS-602F	5.9-7.1	Full	0.6	16	1.40	-10+70	5	11.9*10.7*3.8
IMS-802F	8.5-9.5	Full	0.5	20	1.25	-30+70	5	8*8*3
IMS-902F	8.8-9.8	Full	0.5	20	1.30	-30+70	5	6*7.5*3.5
IMS-1002F	10.7-11.7	Full	0.5	20	1.25	-30+70	5	7*7*3

Note:All the above data are obtained at room temperature.

ELEADING TECHNOLOGIES LTD

F5102, Yunshenchu, Yuanlin Rd., Shatoujiao, Shenzhen, China. Zip: 518081

Phn. 86-755-2528 5648 Fax. 2528 5629. sales@eleadingchina.com

www.eleadingchina.com