

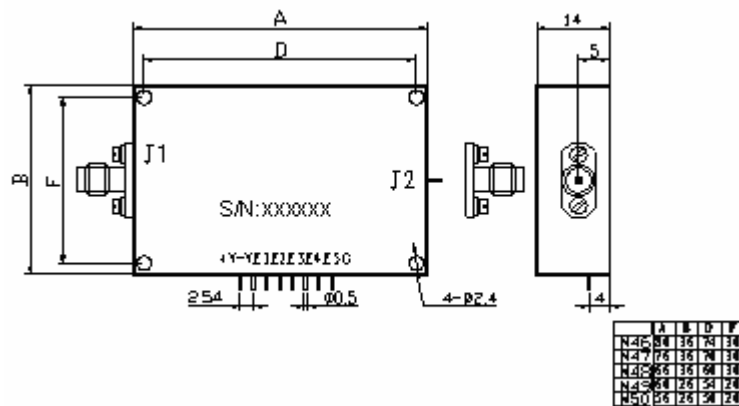
Features

- Low Insertion Loss
- High Accuracy
- Non-dispersive
- TTL Control

Electrical Specifications

Part Number	Frequency Range(GHz)	Relative Bandwidth	Step (°)	PhaseShift Range (°)	I.L. (dB) max	Phase Difference (°) max	ΔI.L. (dB) max	VSWR max	Power Rating cw (w)	Package
LT-CY52210	0.5-1	20%	11.25	0 ~ 337.5	1.8	±3.0	0.4	1.30	5	M46
LT-CY52220	1—2	15%	11.25	0 ~ 348.75	2.1	±3.0	0.2	1.35	5	M46
LT-CY52230	2—4	15%	11.25	0 ~ 348.75	3.0	±3.0	0.3	1.40	5	M47
LT-CY52240	4—8	13%	11.25	0 ~ 348.75	4.5	±4.0	0.4	1.50	2	M48
LT-CY52250	8—12	12%	11.25	0° to 48.75°	6.0	±5.0	0.5	1.80	2	M49
LT-CY52260	12—18	10%	11.25	0° to 48.75°	9.0	±6.0	1.6	2.00	1	M50

Typical Drawing



Notes:

1. Power supply: +V= +5V, 180mA max; -V=-50V, 180mA max.
2. E1, E2, E3, E4, E5 = TTL control port; E1-11.25°、E2-22.5°、E3-45°、E4-90°、E5-180°
3. The voltage can't exceed 20%.

Eleading Technologies Ltd.

F5102, Yunshenchu, Yuanlin Rd., Shatoujiao, Shenzhen, China. Zip 518081. Phn. ++86,755,2528 5648 Fax.2528

eleading@vip.163.com sales@eleadingchina.com www.eleadingchina.com