

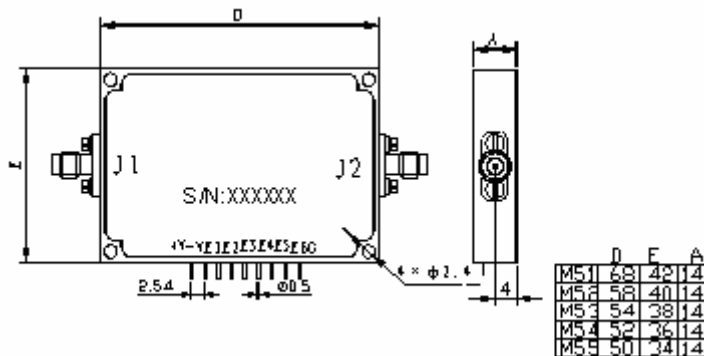
Features

- Low Insertion Loss
- High Accuracy
- Wide Band
- TTL Control

Electrical Specifications

PartNumber	Frequency Range(GHz)	Relative Bandwidth	Step (°)	PhaseShift Range (°)	I.L. (dB) max	Phase Difference (°) max	ΔI.L. (dB) max	VSWR max	Power Rating cw (w)	Package
LT-CY62110	0.5—1	30%	5.6	0~354.5	1.8	±2	0.5	1.30	5	M51
LT-CY62120	1—2	30%	5.6	0~354.5	2.2	±2	0.5	1.30	5	M51
LT-CY62130	2—4	30%	5.6	0~354.5	2.8	±3	0.6	1.40	5	M52
LT-CY62140	4—8	30%	5.6	0~354.5	4.0	±4	0.7	1.50	2	M53
LT-CY62150	8—12	30%	5.6	0~354.5	6.0	±5	0.9	1.70	2	M54
LT-CY62160	12—18	30%	5.6	0~354.5	9.0	±6	1.2	2.00	1	M55

Typical Drawing



Notes:

1. Power supply: +V= +5V, 210mA max; -V=-50V, 210mA max.
2. E1, E2, E3, E4, E5, E6= TTL control port; E1-5.6°, E2-11.25°, E3-22.5°, E4-45°, E5-90°, E6-180°;
3. The voltage can't exceed 20%.

Eleading Technologies Ltd.

F5102, Yunshenchu, Yuanlin Rd., Shatoujiao, Shenzhen, China. Zip 518081. Phn. ++86, 755, 2528 5648 Fax. 2528

eleading@vip.163.com sales@eleadingchina.com www.eleadingchina.com