

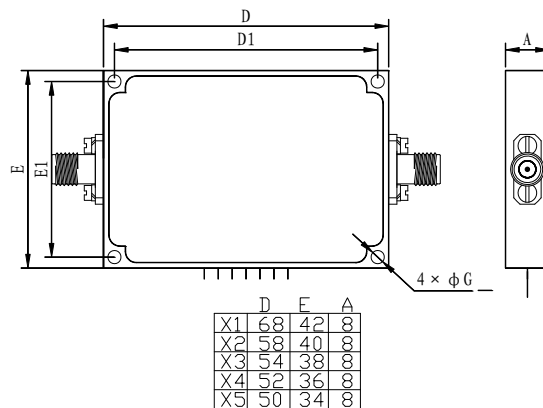
Features

- High Accuracy
- Low Insertion Loss
- TTL Control

Electrical Specifications

Part number	Frequency Range(GHz)	Relative Bandwidth	Step (°)	PhaseShift Range (°)	I.L. (dB) max	Phase Difference (°) max	ΔI.L. (dB) max	VSWR max	Power Rating cw (w)	Package
LT-CY62220	1—2	15%	5.6	354.4	2.0	±2.0	0.2	1.30	5	X1
LT-CY62230	2—4	15%	5.6	354.4	3.0	±3.0	0.3	1.40	5	X2
LT-CY62240	4—8	13%	5.6	354.4	5.0	±4.0	0.4	1.50	2	X3
LT-CY62250	8—12	12%	5.6	354.4	6.0	±5.0	0.5	1.70	2	X4
LT-CY62260	12—18	10%	5.6	354.4	9.0	±6.0	1.6	2.00	1	X5

Typical Drawing



Notes:

1. Power supply: +V= +5V, 210mA max; -V=-50V, 210mA max.
2. E1, E2, E3, E4, E5, E6= TTL control port; E1-5.6°、E2-11.25°、E3-22.5°、E4-45°、E5-90°、E6-180°;
3. The voltage can't exceed 20%.

Eleading Technologies Ltd.

F5102, Yunshenchu, Yuanlin Rd., Shatoujiao, Shenzhen, China. Zip 518081. Phn. ++86, 755, 2528 5648 Fax. 2528

eleading@vip.163.com sales@eleadingchina.com www.eleadingchina.com