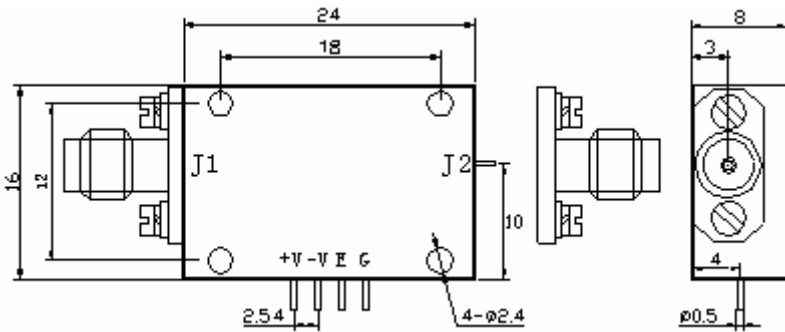


Characteristics



**Wide Bandwidth
Low Insertion
High Isolation
High Speed
TTL Control**

Notes: Frequency range, insertion loss, isolation, power rating and connection type, control mode and outline can be customized. And different application condition can also be customized.

Specifications

Part Number	Frequency Range(GHz)	Insertion Loss (dB) max	Isolation (dB) min	VSWR max	Switch Speed (ns) max	Power Rating cw (w)	Outline
LT-CK12110	0.01—1.0	0.6	60	1.3	1000	0.5	
LT-CK12120	1.0—2.0	0.6	60	1.3	50	0.5	
LT-CK12130	2.0—4.0	0.8	60	1.4	50	0.5	
LT-CK12140	4.0—8.0	1.2	60	1.6	50	0.5	
LT-CK12150	8.0—12.0	1.4	60	1.8	50	0.5	
LT-CK12160	12.0—18.0	2.0	60	2.0	50	0.5	
LT-CK12170	2.0—8.0	1.4	60	1.6	50	0.5	
LT-CK12180	8.0—18.0	2.0	60	2.0	50	0.5	
LT-CK12190	2.0—18.0	2.0	60	2.0	50	0.5	

Application Notes

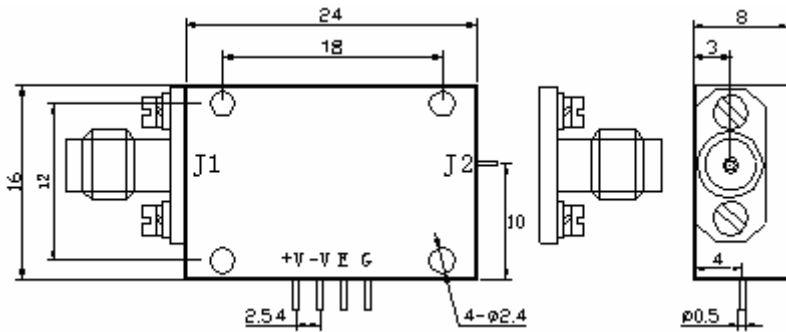
1. Power supply: Input from +V lead to +5V, current can be no more than 30mA ;From -V lead to -5V, current can only be up to 30mA ;
2. Control mode: When TTL input from E lead and TTL is "0", voltage is now 0-0.8V, switch is off ; When TTL is high as "1", voltage is 2-5.5V and switch now is on.
3. Be sure if power supply is right connected and voltage can be no more than 20% of rated;

Eleading Technologies Ltd.

F5102, Yunshenchu, Yuanlin Rd., Shatoujiao, Shenzhen, China. Zip 518081. Phn. ++86,755,2528 5648 Fax.2528

eleading@vip.163.com sales@eleadingchina.com www.eleadingchina.com

Characteristics:



Wide Bandwidth
Low Insertion
High Isolation
No Reflection
High Speed
TTL Control

Notes: Frequency range, insertion loss, isolation ,power rating and connection type, control mode and outline can be customized. And different application condition is also available.

Specifications

Part Number	Frequency Rang (GHz)	Insertion Loss (dB) max	Isolation (dB) min	VSWR max	Switch times(ns) max	Power Rating cw (w)	Outline
LT-CK12310	0.5—1.0	0.7	60	1.4	50	0.2	
LT-CK12320	1.0—2.0	0.7	60	1.4	50	0.2	
LT-CK12330	2.0—4.0	1.0	60	1.5	50	0.2	
LT-CK12340	4.0—8.0	1.4	60	1.7	50	0.2	
LT-CK12350	8.0—12.0	1.8	60	1.9	50	0.2	
LT-CK12360	12.0—18.0	2.4	60	2.0	50	0.2	
LT-CK12370	2.0—8.0	1.6	60	1.7	50	0.2	
LT-CK12380	8.0—18.0	2.4	60	2.0	50	0.2	
LT-CK12390	2.0—180.	2.4	60	2.0	50	0.2	

Application Notes

1. Power supply: Input from +V lead to +5V, current can be no more than 40mA ;From -V lead to -5V, current can only be up to 40mA ;
2. Control mode: When TTL input from E lead and TTL is "0", voltage is now 0-0.8V, switch is off ; When TTL is high as "1", voltage is 2-5.5V and switch now is on.
3. Be sure if power supply is right connected and voltage can be no more than 20% of rated;

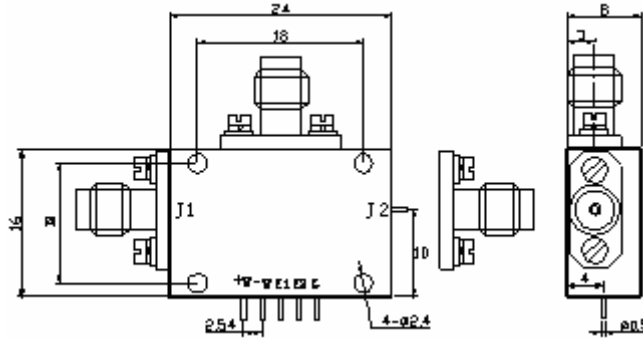
Eleading Technologies Ltd.

F5102, Yunshenchu, Yuanlin Rd., Shatoujiao, Shenzhen, China. Zip 518081. Phn. ++86,755,2528 5648 Fax.2528

eleading@vip.163.com sales@eleadingchina.com www.eleadingchina.com

Characteristics

Wide Bandwidth
Low Insertion
High Isolation
High Speed
TTL Control



Notes: Frequency range, insertion loss, isolation, power rating and connection type, control mode and outline can be customized. And different application condition can also be customized.

Specifications

Part Number	Frequency Range (GHz)	Insertion Loss (dB) max	Isolation (dB) min	VSWR max	Switch Speed (ns) max	Power Rating cw (w)	Outline
LT-CK22110	0.5—1.0	0.8	60	1.3	50	0.5	
LT-CK22120	1.0—2.0	0.8	60	1.3	50	0.5	
LT-CK22130	2.0—4.0	1.0	60	1.4	50	0.5	
LT-CK22140	4.0—8.0	1.4	60	1.6	50	0.5	
LT-CK22150	8.0—12.0	1.8	60	1.8	50	0.5	
LT-CK22160	12.0—18.0	2.4	60	2.0	50	0.5	
LT-CK22170	2.0—8.0	1.6	60	1.8	50	0.5	
LT-CK22180	8.0—18.0	2.4	60	2.0	50	0.5	
LT-CK22190	2.0—18.0	2.4	60	2.0	50	0.5	

Application Notes

1. Power supply: Input from +V lead to +5V, current can be no more than 50mA ;From -V lead to -5V, current can only be up to 40mA ;
2. Control mode: When TTL input from E lead and TTL is "0", voltage is now 0-0.8V, switch is off ; When TTL is high as "1", voltage is 2-5.5V and switch now is on.
3. Be sure if power supply is right connected and voltage can be no more than 20% of rated;

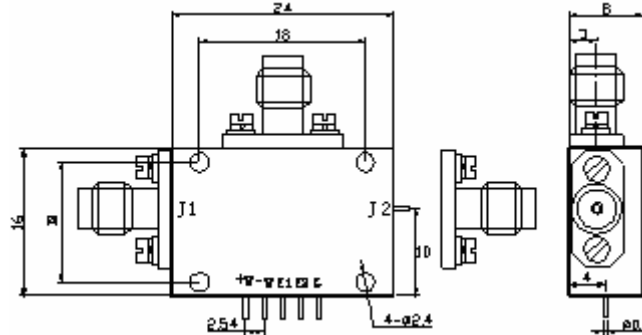
Eleading Technologies Ltd.

F5102, Yunshenchu, Yuanlin Rd., Shatoujiao, Shenzhen, China. Zip 518081. Phn. ++86, 755, 2528 5648 Fax. 2528

eleading@vip.163.com
sales@eleadingchina.com
www.eleadingchina.com

Characteristics

Wide Bandwidth
Low Insertion
High Isolation
No Reflection
TTL Control



Notes: Frequency range, insertion loss, isolation, power rating and connection type, control mode and outline can be customized. And different application condition can also be customized.

Specifications

Part Number	Frequency Range (GHz)	Insertion Loss (dB) max	Isolation (dB) min	VSWR max	Switch Speed (ns) max	Power Rating cw (w)	Outline
LT-CK22310	0.5—1.0	1.0	60	1.4	50	0.2	
LT-CK22320	1.0—2.0	1.0	60	1.4	50	0.2	
LT-CK22330	2.0—4.0	1.2	60	1.5	50	0.2	
LT-CK22340	4.0—8.0	1.6	60	1.7	50	0.2	
LT-CK22350	8.0—12.0	2.2	60	1.9	50	0.2	
LT-CK22360	12.0—18.0	2.8	60	2.0	50	0.2	
LT-CK22370	2.0—8.0	1.8	60	1.9	50	0.2	
LT-CK22380	8.0—18.0	2.8	60	2.0	50	0.2	
LT-CK22390	2.0—18.0	2.8	60	2.0	50	0.2	

Application Notes

1. Power supply: Input from +V lead to +5V, current can be no more than 60mA ;From -V lead to -5V, current can only be up to 40mA ;
2. Control mode: When TTL input from Ei(i=1,2) and TTL is "0", voltage is now 0-0.8V, J0-Ji is on? ; When TTL is high as "1", voltage is 2-5.5V and J0-Ji is on.
3. Be sure if power supply is right connected and voltage can be no more than 20% of rated;

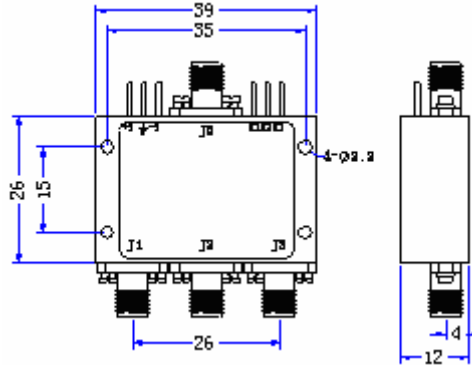
Eleading Technologies Ltd.

F5102, Yunshenchu, Yuanlin Rd., Shatoujiao, Shenzhen, China. Zip 518081. Phn. ++86, 755, 2528 5648 Fax. 2528

eleading@vip.163.com
sales@eleadingchina.com
www.eleadingchina.com

Characteristics

Wide Bandwidth
Low Insertion
High Isolation
High Speed
TTL Control



Notes: Frequency range, insertion loss, isolation, power rating and connection type, control mode and outline can be customized. And different application condition can also be customized.

Specifications

Part Number	Frequency Range (GHz)	Insertion Loss (dB) max	Isolation (dB) min	VSWR max	Switch Speed (ns) max	Power Rating cw (w)	Outline
LT-CK32110	0.5—1.0	0.9	60	1.3	50	0.5	
LT-CK32120	1.0—2.0	1.0	60	1.3	50	0.5	
LT-CK32130	2.0—4.0	1.2	60	1.4	50	0.5	
LT-CK32140	4.0—8.0	1.6	60	1.6	50	0.5	
LT-CK32150	8.0—12.0	2.0	60	1.8	50	0.5	
LT-CK32160	12.0—18.0	2.6	60	2.0	50	0.5	
LT-CK32170	2.0—8.0	1.8	60	1.8	50	0.5	
LT-CK32180	8.0—18.0	2.6	60	2.0	50	0.5	
LT-CK32190	2.0—18.0	2.8	60	2.0	50	0.5	

Application Notes

1. Power supply: Input from +V lead to +5V, current can be no more than 80mA ;From -V lead to -5V, current can only be up to 50mA ;
2. Control mode: When TTL input from Ei(i=1,2,3) and TTL is "0", voltage is now 0-0.8V, Ji(i=1,2,3)on ; When TTL is high as "1", voltage is 2-5.5V and Ji(i=1,2,3) is off.
3. Be sure if power supply is right connected and voltage can be no more than 20% of rated;

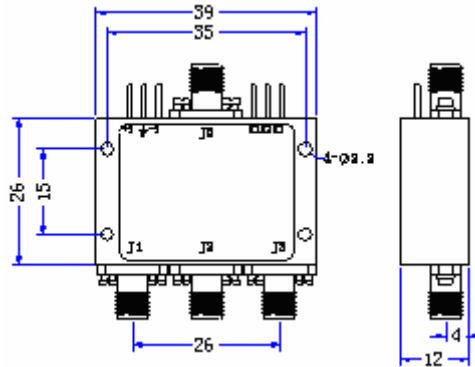
Eleading Technologies Ltd.

F5102, Yunshenchu, Yuanlin Rd., Shatoujiao, Shenzhen, China. Zip 518081. Phn. ++86, 755, 2528 5648 Fax. 2528

eleading@vip.163.com
sales@eleadingchina.com
www.eleadingchina.com

Characteristics

Wide Bandwidth
Low Insertion
High Isolation
No Reflection
TTL Control



Notes: Frequency range, insertion loss, isolation, power rating and connection type, control mode and outline can be customized. And different application condition can also be customized.

Specifications

Part Number	Frequency Range (GHz)	Insertion Loss (dB) max	Isolation (dB) min	VSWR max	Switch Speed (ns) max	Power Rating cw (w)	Outline
LT-CK32310	0.5—1.0	1.1	60	1.4	100	0.2	
LT-CK32320	1.0—2.0	1.2	60	1.4	100	0.2	
LT-CK32330	2.0—4.0	1.4	60	1.5	100	0.2	
LT-CK32340	4.0—8.0	1.8	60	1.7	100	0.2	
LT-CK32350	8.0—12.0	2.4	60	1.9	100	0.2	
LT-CK32360	12.0—18.0	3.0	60	2.0	100	0.2	
LT-CK32370	2.0—8.0	2.0	60	1.9	100	0.2	
LT-CK32380	8.0—18.0	3.0	60	2.0	100	0.2	
LT-CK32390	2.0—18.0	3.2	60	2.0	100	0.2	

Application Notes

- Power supply: Input from +V lead to +5V, current can be no more than 80mA ;From -V lead to -5V, current can only be up to 50mA ;
- Control mode: When TTL input from Ei(i=1,2,3) and TTL is "0", voltage is now 0-0.8V, Ji(i=1,2,3)on ; When TTL is high as "1", voltage is 2-5.5V and Ji(i=1,2,3) is off.
- Be sure if power supply is right connected and voltage can be no more than 20% of rated;

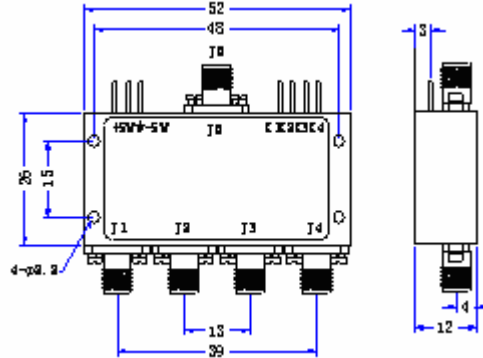
Eleading Technologies Ltd.

F5102, Yunshenchu, Yuanlin Rd., Shatoujiao, Shenzhen, China. Zip 518081. Phn. ++86, 755, 2528 5648 Fax. 2528

eleading@vip.163.com
sales@eleadingchina.com
www.eleadingchina.com

Characteristics

- Wide Bandwidth
- Low Insertion
- High Isolation
- High Speed
- TTL Control



Notes: Frequency range, insertion loss, isolation, power rating and connection type, control mode and outline can be customized. And different application condition can also be customized.

Specifications

Part Number	Frequency Range (GHz)	Insertion Loss (dB) max	Isolation (dB) min	VSWR max	Switch Speed (ns) max	Power Rating cw (w)	Outline
LT-CK42110	0.5—1.0	1.0	60	1.4	50	0.5	
LT-CK42120	1.0—2.0	1.2	60	1.4	50	0.5	
LT-CK32130	2.0—4.0	1.4	60	1.6	50	0.5	
LT-CK42140	4.0—8.0	1.8	60	1.8	50	0.5	
LT-CK42150	8.0—12.0	2.2	60	1.8	50	0.5	
LT-CK42160	12.0—18.0	2.8	60	2.0	50	0.5	
LT-CK42170	2.0—8.0	2.0	60	1.8	50	0.5	
LT-CK42180	8.0—18.0	2.8	60	2.0	50	0.5	
LT-CK42190	2.0—18.0	3.0	60	2.0	50	0.5	

Application Notes

1. Power supply: Input from +V lead to +5V, current can be no more than 110mA ;From -V lead to -5V, current can only be up to 50mA ;
2. Control mode: When TTL input from Ei(i=1,2,3,4) and TTL is "0", voltage is now 0-0.8V, Ji(i=1,2,3,4)on ; When TTL is high as "1", voltage is 2-5.5V and Ji(i=1,2,3,4) is off.
3. Be sure if power supply is right connected and voltage can be no more than 20% of rated;

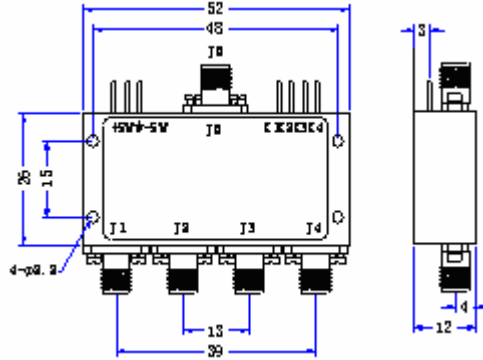
Eleading Technologies Ltd.

F5102, Yunshenchu, Yuanlin Rd., Shatoujiao, Shenzhen, China. Zip 518081. Phn. ++86,755,2528 5648 Fax.2528

eleading@vip.163.com sales@eleadingchina.com www.eleavingchina.com

Characteristics

Wide Bandwidth
Low Insertion
High Isolation
No Reflection
TTL Control



Notes: Frequency range, insertion loss, isolation, power rating and connection type, control mode and outline can be customized. And different application condition can also be customized.

Specifications

Part Number	Frequency Range (GHz)	Insertion Loss (dB) max	Isolation (dB) min	VSWR max	Switch Speed (ns) max	Power Rating cw (w)	Outline
LT-CK42310	0.5—1.0	1.2	60	1.5	100	0.2	
LT-CK42320	1.0—2.0	1.4	60	1.5	100	0.2	
LT-CK42330	2.0—4.0	1.6	60	1.9	100	0.2	
LT-CK42340	4.0—8.0	2.0	60	1.9	100	0.2	
LT-CK42350	8.0—12.0	2.6	60	1.9	100	0.2	
LT-CK42360	12.0—18.0	3.2	60	2.0	100	0.2	
LT-CK42370	2.0—8.0	2.2	60	1.9	100	0.2	
LT-CK42380	8.0—18.0	3.2	60	2.0	100	0.2	
LT-CK42390	2.0—18.0	3.4	60	2.0	100	0.2	

Application Notes

1. Power supply: Input from +V lead to +5V, current can be no more than 110mA ;From -V lead to -5V, current can only be up to 50mA ;
2. Control mode: When TTL input from Ei(i=1,2,3,4) and TTL is "0", voltage is now 0-0.8V, Ji(i=1,2,3,4)on ; When TTL is high as "1", voltage is 2-5.5V and Ji(i=1,2,3,4) is off.
3. Be sure if power supply is right connected and voltage can be no more than 20% of rated;

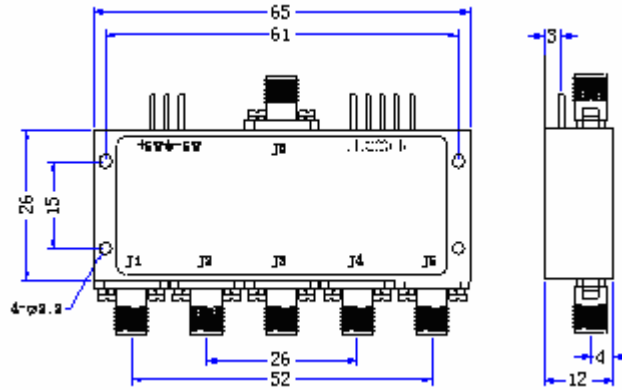
Eleading Technologies Ltd.

F5102, Yunshenchu, Yuanlin Rd., Shatoujiao, Shenzhen, China. Zip 518081. Phn. ++86, 755, 2528 5648 Fax. 2528

eleading@vip.163.com
sales@eleadingchina.com
www.eleadingchina.com

Characteristics

Wide Bandwidth
Low Insertion
High Isolation
High Speed
TTL Control



Notes: Frequency range, insertion loss, isolation, power rating and connection type, control mode and outline can be customized. And different application condition can also be customized.

Specifications

Part Number	Frequency Range (GHz)	Insertion Loss (dB) max	Isolation (dB) min	VSWR max	Switch Speed (ns) max	Power Rating cw (w)	Outline
LT-CK52110	0.5—1.0	1.2	60	1.4	50	0.5	
LT-CK52120	1.0—2.0	1.4	60	1.4	50	0.5	
LT-CK52130	2.0—4.0	1.6	60	1.6	50	0.5	
LT-CK52140	4.0—8.0	2.0	60	1.8	50	0.5	
LT-CK52150	8.0—12.0	2.4	60	1.8	50	0.5	
LT-CK52160	12.0—18.0	3.0	60	2.0	50	0.5	
LT-CK52170	2.0—8.0	2.2	60	1.8	50	0.5	
LT-CK52180	8.0—18.0	3.0	60	2.0	50	0.5	
LT-CK52190	2.0—18.0	3.2	60	2.0	50	0.5	

Application Notes

1. Power supply: Input from +V lead to +5V, current can be no more than 140mA ;From -V lead to -5V, current can only be up to 50mA ;
2. Control mode: When TTL input from Ei(i=1,2,3,4,5) and TTL is "0", voltage is now 0-0.8V, Ji(i=1,2,3,4,5)is on ; When TTL is high as "1", voltage is 2-5.5V and Ji(i=1,2,3,4,5) is off.
3. Be sure if power supply is right connected and voltage can be no more than 20% of rated;

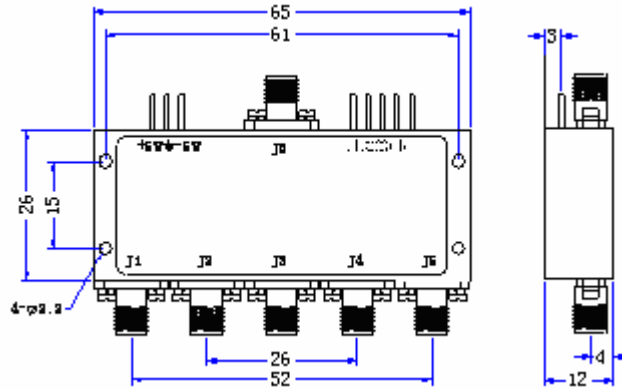
Eleading Technologies Ltd.

F5102,Yunshenchu,Yuanlin Rd.,Shatoujiao,Shenzhen,China.Zip 518081.Phn.++86,755,2528 5648 Fax.2528

eleading@vip.163.com
sales@eleadingchina.com
www.eleadingchina.com

Characteristics

Wide Bandwidth
Low Insertion
High Isolation
No Reflection
TTL Control



Notes: Frequency range, insertion loss, isolation, power rating and connection type, control mode and outline can be customized. And different application condition can also be customized.

Specifications

Part Number	Frequency Range (GHz)	Insertion Loss (dB) max	Isolation (dB) min	VSWR max	Switch Speed (ns) max	Power Rating cw (w)	Outline
LT-CK52310	0.5—1.0	1.4	60	1.5	100	0.2	
LT-CK52320	1.0—2.0	1.6	60	1.5	100	0.2	
LT-CK52330	2.0—4.0	1.8	60	1.7	100	0.2	
LT-CK52340	4.0—8.0	2.2	60	1.9	100	0.2	
LT-CK52350	8.0—12.0	2.8	60	1.9	100	0.2	
LT-CKK52360	12.0—18.0	3.4	60	2.0	100	0.2	
LT-CK52370	2.0—8.0	2.4	60	1.9	100	0.2	
LT-CK52380	8.0—18.0	3.4	60	2.0	100	0.2	
LT-CK52390	2.0—18.0	3.6	60	2.0	100	0.2	

Application Notes

1. Power supply: Input from +V lead to +5V, current can be no more than 140mA ;From -V lead to -5V, current can only be up to 50mA ;
2. Control mode: When TTL input from Ei(i=1,2,3,4,5) and TTL is "0", voltage is now 0-0.8V, Ji(i=1,2,3,4,5)is on ; When TTL is high as "1", voltage is 2-5.5V and Ji(i=1,2,3,4,5) is off.
3. Be sure if power supply is right connected and voltage can be no more than 20% of rated;

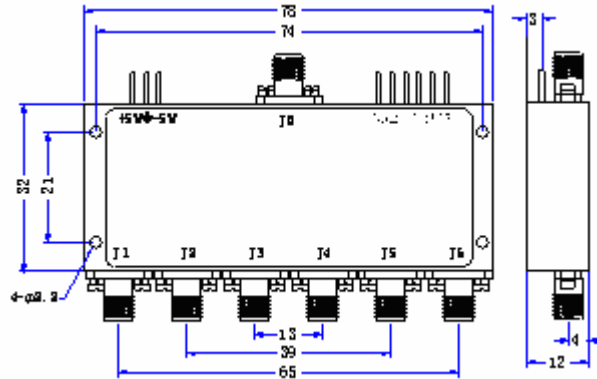
Eleading Technologies Ltd.

F5102, Yunshenchu, Yuanlin Rd., Shatoujiao, Shenzhen, China. Zip 518081. Phn. ++86,755,2528 5648 Fax.2528

eleading@vip.163.com
sales@eleadingchina.com
www.eleavingchina.com

Characteristics

Wide Bandwidth
Low Insertion
High Isolation
High Speed
TTL Control



Notes: Frequency range, insertion loss, isolation ,power rating and connection type, control mode and outline can be customized. And different application condition can also be customized.

Specifications

Part Number	Frequency Range (GHz)	Insertion Loss (dB) max	Isolation (dB) min	VSWR max	Switch Speed (ns) max	Power Rating cw (w)	Outline
LT-CK62110	0.5—1.0	1.4	60	1.4	50	0.5	
LT-CK62120	1.0—2.0	1.6	60	1.4	50	0.5	
LT-CK62130	2.0—4.0	1.8	60	1.6	50	0.5	
LT-CK62140	4.0—8.0	2.2	60	1.8	50	0.5	
LT-CK62150	8.0—12.0	2.6	60	1.8	50	0.5	
LT-CK62160	12.0—18.0	3.2	60	2.0	50	0.5	
LT-CK62170	2.0—8.0	2.4	60	1.8	50	0.5	
LT-CK62180	8.0—18.0	3.2	60	2.0	50	0.5	
LT-CK62190	2.0—18.0	3.4	60	2.0	50	0.5	

Application Notes

1. Power supply: Input from +V lead to +5V, current can be no more than 140mA ;From -V lead to -5V, current can only be up to 50mA ;
2. Control mode: When TTL input from Ei(i=1,2,3,4,5,6) and TTL is "0", voltage is now 0-0.8V, Ji(i=1,2,3,4,5,6)is on ; When TTL is high as "1", voltage is 2-5.5V and Ji(i=1,2,3,4,5,6) is off.
3. Be sure if power supply is right connected and voltage can be no more than 20% of rated;

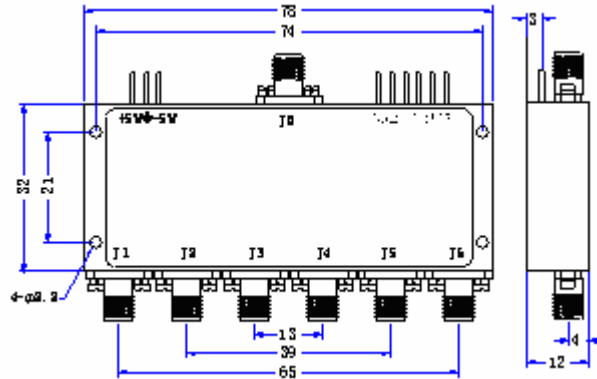
Eleading Technologies Ltd.

F5102,Yunshenchu,Yuanlin Rd.,Shatoujiao,Shenzhen,China.Zip 518081.Phn.++86,755,2528 5648 Fax.2528

eleading@vip.163.com
sales@eleadingchina.com
www.eleadingchina.com

Characteristics

- Wide Bandwidth
- Low Insertion
- High Isolation
- No Reflection
- TTL Control



Notes: Frequency range, insertion loss, isolation, power rating and connection type, control mode and outline can be customized. And different application condition can also be customized.

Specifications

Part Number	Frequency Range (GHz)	Insertion Loss (dB) max	Isolation (dB) min	VSWR max	Switch Speed (ns) max	Power Rating cw (w)	Outline
LT-CK62310	0.5—1.0	1.6	60	1.5	100	0.2	
LT-CK62320	1.0—2.0	1.8	60	1.5	100	0.2	
LT-CK62330	2.0—4.0	2.0	60	1.7	100	0.2	
LT-CK62340	4.0—8.0	2.4	60	1.9	100	0.2	
LT-CK62350	8.0—12.0	3.0	60	1.9	100	0.2	
LT-CK62360	12.0—18.0	3.6	60	2.0	100	0.2	
LT-CK62370	2.0—8.0	2.6	60	1.9	100	0.2	
LT-CK62380	8.0—18.0	3.6	60	2.0	100	0.2	
LT-CK62390	2.0—18.0	3.8	60	2.0	100	0.2	

Application Notes

1. Power supply: Input from +V lead to +5V, current can be no more than 170mA ;From -V lead to -5V, current can only be up to 50mA ;
2. Control mode: When TTL input from Ei(i=1,2,3,4,5,6) and TTL is "0", voltage is now 0-0.8V, Ji(i=1,2,3,4,5,6)is on ; When TTL is high as "1", voltage is 2-5.5V and Ji(i=1,2,3,4,5,6) is off.
3. Be sure if power supply is right connected and voltage can be no more than 20% of rated;

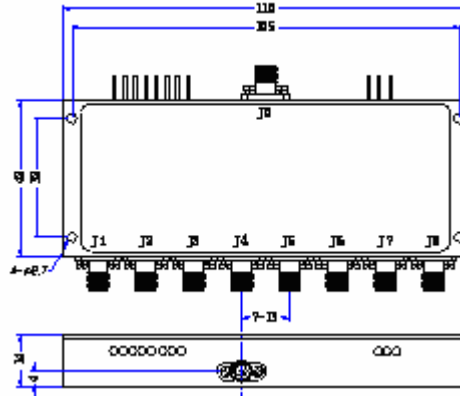
Eleading Technologies Ltd.

F5102, Yunshenchu, Yuanlin Rd., Shatoujiao, Shenzhen, China. Zip 518081. Phn. ++86,755,2528 5648 Fax.2528

eleading@vip.163.com sales@eleadingchina.com www.eleavingchina.com

Characteristics

Wide Bandwidth
Low Insertion
High Isolation
High Speed
TTL Control



Notes: Frequency range, insertion loss, isolation, power rating and connection type, control mode and outline can be customized. And different application condition can also be customized.

Specifications

Part Number	Frequency Range (GHz)	Insertion Loss (dB) max	Isolation (dB) min	VSWR max	Switch Speed (ns) max	Power Rating cw (w)	Outline
LT-CK82110	0.5—1.0	1.8	60	1.4	50	0.5	
LT-CK82120	1.0—2.0	2.0	60	1.4	50	0.5	
LT-CK82130	2.0—4.0	2.2	60	1.6	50	0.5	
LT-CK82140	4.0—8.0	2.6	60	1.8	50	0.5	
LT-CK82150	8.0—12.0	3.0	60	1.8	50	0.5	
LT-CK82160	12.0—18.0	3.6	60	2.2	50	0.5	
LT-CK82170	2.0—8.0	2.8	60	1.8	50	0.5	
LT-CK82180	8.0—18.0	3.6	60	2.2	50	0.5	
LT-CK82190	2.0—18.0	3.8	60	2.2	50	0.5	

Application Notes

1. Power supply: Input from +V lead to +5V, current can be no more than 230mA ;From -V lead to -5V, current can only be up to 50mA ;
2. Control mode: When TTL input from Ei(i=1,2,3,4,5,6,7,8) and TTL is "0", voltage is now 0-0.8V, Ji(i=1,2,3,4,5,6,7,8)is on ; When TTL is high as "1", voltage is 2-5.5V and Ji(i=1,2,3,4,5,6,7,8) is off.
3. Be sure if power supply is right connected and voltage can be no more than 20% of rated;

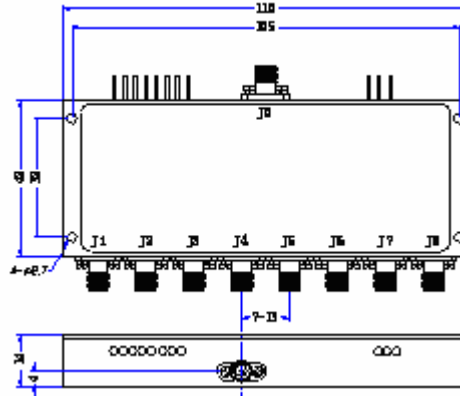
Eleading Technologies Ltd.

F5102, Yunshenchu, Yuanlin Rd., Shatoujiao, Shenzhen, China. Zip 518081. Phn. ++86,755,2528 5648 Fax.2528

eleading@vip.163.com
sales@eleadingchina.com
www.eleavingchina.com

Characteristics

Wide Bandwidth
Low Insertion
High Isolation
No Reflection
TTL Control



Notes: Frequency range, insertion loss, isolation, power rating and connection type, control mode and outline can be customized. And different application condition can also be customized.

Specifications

Part Number	Frequency Range (GHz)	Insertion Loss (dB) max	Isolation (dB) min	VSWR max	Switch Speed (ns) max	Power Rating cw (w)	Outline
LT-CK82110	0.5—1.0	1.8	60	1.4	50	0.5	
LT-CK82120	1.0—2.0	2.0	60	1.4	50	0.5	
LT-CK82130	2.0—4.0	2.2	60	1.6	50	0.5	
LT-CK82140	4.0—8.0	2.6	60	1.8	50	0.5	
LT-CK82150	8.0—12.0	3.0	60	1.8	50	0.5	
LT-CK82160	12.0—18.0	3.6	60	2.2	50	0.5	
LT-CK82170	2.0—8.0	2.8	60	1.8	50	0.5	
LT-CK82180	8.0—18.0	3.6	60	2.2	50	0.5	
LT-CK82190	2.0—18.0	3.8	60	2.2	50	0.5	

Application Notes

1. Power supply: Input from +V lead to +5V, current can be no more than 230mA ;From -V lead to -5V, current can only be up to 50mA ;
2. Control mode: When TTL input from Ei(i=1,2,3,4,5,6,7,8) and TTL is "0", voltage is now 0-0.8V, Ji(i=1,2,3,4,5,6,7,8)is on ; When TTL is high as "1", voltage is 2-5.5V and Ji(i=1,2,3,4,5,6,7,8) is off.
3. Be sure if power supply is right connected and voltage can be no more than 20% of rated;

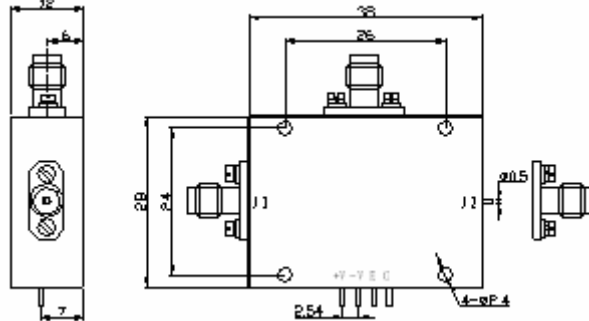
Eleading Technologies Ltd.

F5102, Yunshenchu, Yuanlin Rd., Shatoujiao, Shenzhen, China. Zip 518081. Phn. ++86,755,2528 5648 Fax.2528

eleading@vip.163.com
sales@eleadingchina.com
www.eleadingchina.com

Characteristics

High Power
Wide Bandwidth
Low Insertion
Low Consumption
TTL Control



Notes: Frequency range, insertion loss, isolation, power rating and connection type, control mode and outline can be customized. And different application condition can also be customized.

Specifications

Part number	Frequency Range (GHz)	Insertion Loss (dB) max	Isolation (dB) min	VSWR max	Switch Speed (us) max	Power Rating		Outline
						P(w)	Cw(w)	
LT-CK24110	0.01—1.0	0.6	30	1.4	2	1000	100	
LT-CK24120	1.0—2.0	0.6	30	1.5	2	1000	100	
LT-CK24130	2.0—4.0	0.7	30	1.6	2	1000	100	
LT-CK24140	4.0—8.0	1.2	30	1.7	2	800	80	
LT-CK24150	8.0—12.0	1.4	30	1.8	2	800	80	
LT-CK24160	12.0—18.0	2.0	30	2.0	2	500	50	

Application Notes

1. Power supply: Input from +V lead to +5V, current can be no more than 120mA ;From -V lead to -5V, current can only be up to 20mA ;
2. Control mode: When TTL input from Ei(i=1,2,) and TTL is "0", voltage is now 0-0.8V, switch is off ; When TTL is high as "1", voltage is 2-5.5V and switch is on.
3. P is peak value of pulse; Pulse length can be no more than 100 us; Interval ratio can be no more than 10%.
4. Be sure if power supply is right connected and voltage can be no more than 20% of rated;

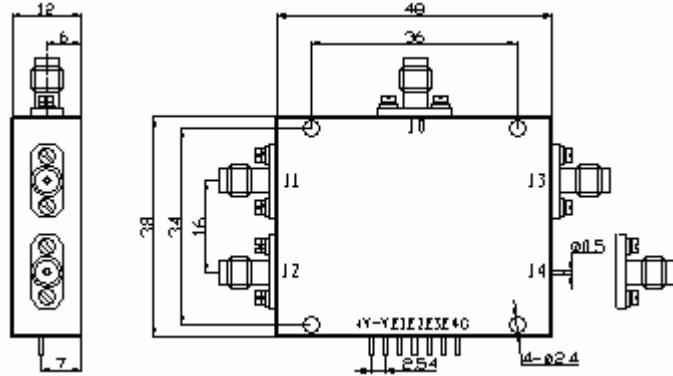
Eleading Technologies Ltd.

F5102, Yunshenchu, Yuanlin Rd., Shatoujiao, Shenzhen, China. Zip 518081. Phn. ++86, 755, 2528 5648 Fax. 2528

eleading@vip.163.com
sales@eleadingchina.com
www.eleavingchina.com

Characteristics

High Power
Wide Bandwidth
Low Insertion
Low Consumption
TTL Control



Notes: Frequency range, insertion loss, isolation, power rating and connection type, control mode and outline can be customized. And different application condition can also be customized.

Specifications

Part Number	Frequency Range (GHz)	Insertion Loss (dB) max	Isolation (dB) min	VSWR max	Switch Speed (us) max	Power Rating		Outline
						P(w)	Cw(w)	
LT-CK44110	0.01—1.0	0.8	30	1.4	2	1000	100	
LT-CK44120	1.0—2.0	0.8	30	1.5	2	1000	100	
LT-CK44130	2.0—4.0	0.9	30	1.6	2	1000	100	
LT-CK44140	4.0—8.0	1.5	30	1.7	2	800	80	
LT-CK44150	8.0—12.0	1.8	30	1.8	2	800	80	
LT-CK44160	12.0—18.0	2.4	30	2.0		500	50	

Application Notes

1. Power supply: Input from +V lead to +5V, current can be no more than 120mA ;From -V lead to -5V, current can only be up to 10mA ;
2. Control mode: When TTL input from Ei(i=1,2,,3,4) and TTL is "0", voltage is now 0-0.8V, switch is off ; When TTL is high as "1", voltage is 2-5.5V and switch is on.
3. P is peak value of pulse; Pulse length can be no more than 100 u s; Interval ratio can be no more than 10%.
4. Be sure if power supply is right connected and voltage can be no more than 20% of rated;

Eleading Technologies Ltd.

F5102, Yunshenchu, Yuanlin Rd., Shatoujiao, Shenzhen, China. Zip 518081. Phn. ++86, 755, 2528 5648 Fax. 2528

eleading@vip.163.com
sales@eleadingchina.com
www.eleadingchina.com