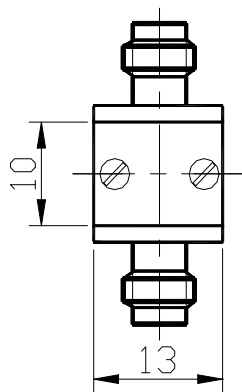


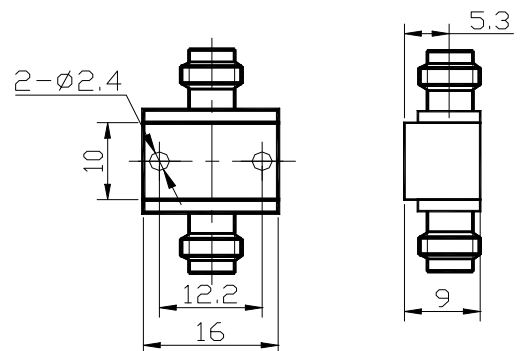
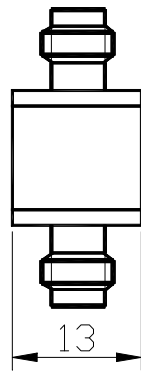
Electrical Specifications

Part Number	Frequency Range (GHz)	Insertion Loss (dB)max	Limiting Level (mW)max	VSWR (I/O)max	Power Rating (w)max		Outline Drawing In mm
					CW	PK	
LT-AX18A	6-18	2.5	30	2.0	2	200	EB01
LT-AX18B	2-18	2.5	30	2.3	2	200	EB02

Outline Drawing



Dwg.EB01



Dwg.EB02

Eleading Technologies Ltd.

F5102, Yunshenchu, Yuanlin Rd., Shatoujiao, Shenzhen, China. Zip 518081. Phn. ++86, 755, 2528 5648 Fax. 2528

eleading@vip.163.com sales@eleadingchina.com www.eleadingchina.com