

## Electrical Specifications

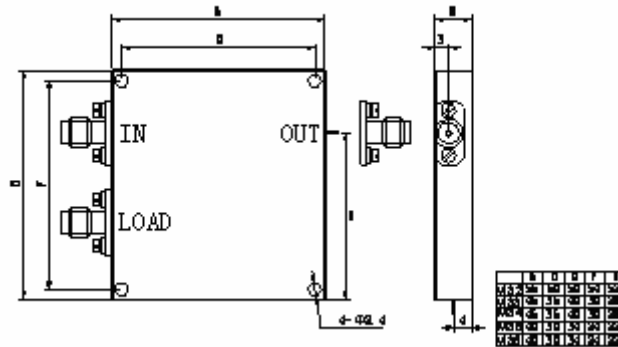
Part Number	Frequency Range (GHz)	Relative Bandwidth	Insertion Loss (dB)(max)	Clip Level (mw)	VSWR (max)	Power Rating(w)	Package
LT-CX13210	0.5—1	15%	0.5	20	1.3	1000	M32
LT-CX13220	1—2	15%	0.6	20	1.3	800	M32
LT-CX13230	2—4	15%	0.8	20	1.4	600	M33
LT-CX13240	4—8	15%	1.0	20	1.6	400	M34
LT-CX13250	8—12	13%	1.2	20	1.8	200	M35
LT-CX13260	12—18	10%	1.5	20	2.0	100	M36

Note:

Relative Bandwidth can be designed to approach octave band.

External load; Input power =peak power; duty cycle=10% pulse width=100μS max

## Outline Drawing



### **Eleading Technologies Ltd.**

F5102, Yunshenchu, Yuanlin Rd., Shatoujiao, Shenzhen, China. Zip 518081. Phn. ++86,755,2528 5648 Fax.2528

[eleading@vip.163.com](mailto:eleading@vip.163.com) [sales@eleadingchina.com](mailto:sales@eleadingchina.com) [www.eleavingchina.com](http://www.eleavingchina.com)